

**MDKUBE25-365-KGT/10-FM-SPU-WN2-N** [↗](#)

Módulo lineal

Tandem actuators with four-row linear recirculating bearing and guideway assembly, monorail guidance system and ball screw drive. With second, non-driven carriage, double nut, single spindle support and fixing slots in carriage

Información técnica

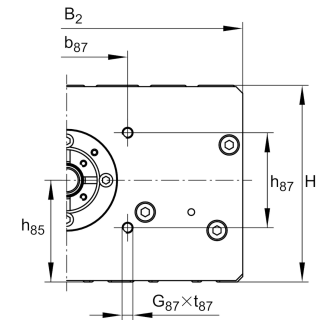
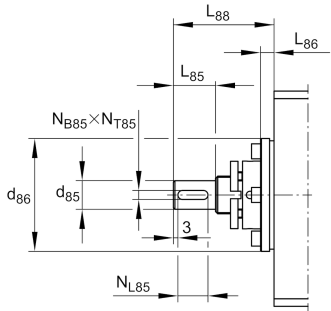
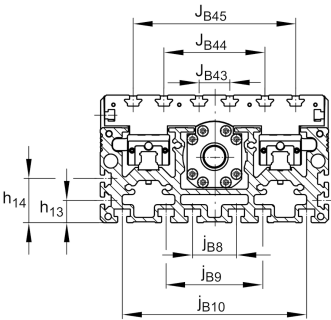
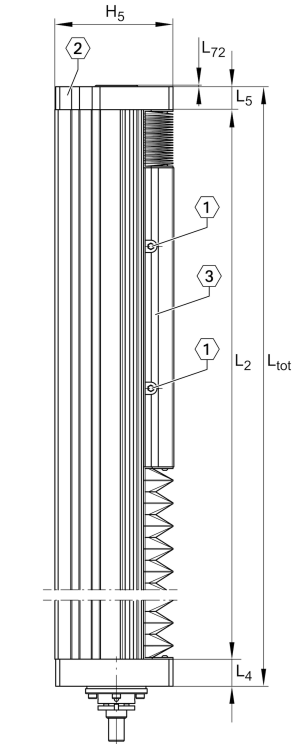


Variante de su producto actual

| | | |
|----------------------------|-----|-----------------------------|
| Size code | 25 | |
| Length of carriage | 365 | 365 mm |
| Drive type | KGT | Ball screw drive |
| Spindle pitch | 10 | 10 mm |
| Spindle nut design | FM | Flange nut & cylinder nut |
| Additional carriage | WN2 | Second, non-driven carriage |
| Spindle support | SPU | Yes |
| Attachment to the carriage | N | T-Slots |

Medidas principales y datos de rendimiento

| | | |
|-----|--------|--------------------|
| L | 365 mm | Length of Carriage |
| H | 145 mm | Total Height |
| B 2 | 260 mm | Total Width |



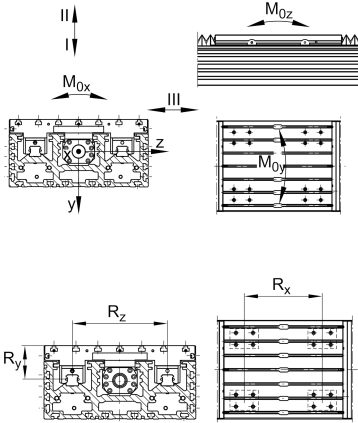
Medidas de montaje

| | | |
|----------|----------|--------------------------------|
| B 1 | 250 mm | Width of Carriage |
| b 87 | 90 mm | |
| d 85 | 19 mm | |
| Tol d 85 | h6 | Tolerance |
| d 86 | 75 mm | |
| Tol d 86 | h7 | Tolerance |
| G 87 | M8 | Thread |
| h 13 | 25 mm | |
| h 14 | 50 mm | |
| h 85 | 75 mm | |
| h 87 | 70 mm | |
| J B43 | 35 mm | |
| J B44 | 115 mm | |
| J B45 | 185 mm | |
| j B8 | 50 mm | |
| j B9 | 110 mm | |
| j B10 | 210 mm | |
| L 2 max | 5.850 mm | Maximum length of Support Rail |
| L 85 | 28 mm | |
| L 86 | 9 mm | |
| L 88 | 67 mm | |
| N B43 | 14 mm | |
| N B85 | 6 mm | Tolerance P9 |
| N L43 | 20 mm | |
| N L85 | 20 mm | Length of Keyway |
| N T85 | 3,5 mm | Depth of Keyway |
| t 87 | 20 mm | Depth of Thread |



Medidas

| | | |
|---------------|--------|--|
| B_5 | 259 mm | Width of End Plates |
| F_{BL} | 1,18 | Effective length factor of bellow |
| H_1 | 35 mm | Height of Carriage |
| H_2 | 108 mm | Width of Support Rail |
| H_5 | 144 mm | |
| L_4 | 33 mm | |
| L_5 | 28 mm | |
| L_{72} | 2 mm | |
| I_{41} | 30 mm | |
| I_{42} | 35 mm | |
| $L_{x1 \min}$ | 20 mm | Minimum distance between the Carriages |
| S_{41} | 13 mm | |



**Datos técnicos**

| | | |
|--------------------|-------------------------|--|
| R_x | 270 mm | |
| R_y | 72,8 mm | |
| R_z | 150 mm | |
| S | 10 mm | Safety Distance |
| m_{LAW} | 13,04 kg | Mass of Carriage |
| m_3 | 11,48 kg | Mass of additional Carriage |
| v_{max} | 0,43 m/s | Maximum Speed |
| a_{max} | 10 m/s ² | Maximum Acceleration |
| IC | 47.200 N | Load direction I: compressive load |
| I C ₀ | 148.000 N | Load direction I: compressive load |
| II C | 47.200 N | Load direction II: tensile load |
| II C ₀ | 148.000 N | Load direction II: tensile load |
| III C | 47.200 N | Load direction III: lateral load |
| III C ₀ | 148.000 N | Load direction III: lateral load |
| $M_{0x\ per}$ | 9.500 Nm | Max. permissible static moment per Carriage |
| $M_{0y\ per}$ | 16.000 Nm | Max. permissible static moment per Carriage |
| $M_{0z\ per}$ | 16.000 Nm | Max. permissible static moment per Carriage |
| I_y | 7.069 cm ⁴ | Geometrical moments of inertia of Support Rail |
| I_z | 899 cm ⁴ | Geometrical moments of inertia of Support Rail |
| $C_{a\ MU}$ | 33.400 N | Load capacity spindle nut dyn |
| $C_{0a\ MU}$ | 54.500 N | Load capacity spindle nut stat |
| $C_{a\ L}$ | 27.500 N | Load capacity fixed Spindle bearing dyn |
| $C_{0a\ L}$ | 55.000 N | Load capacity fixed Spindle bearing stat |
| d_0 | 32 mm | Spindle Diameter |
| P | 10 mm | Spindle Pitch |
| I_s | 6,43 kg*cm ² | Mass moment of inertia of threaded Spindle |
| SPU | Ja | Spindle Support |
| WN2 | Ja | Second, non-driven Carriage |



Ver detalles del producto en Medias

11.11.2025, 19:36:34 UTC

SCHAEFFLER

Información adicional

| | |
|-----------------|------------------|
| ZKLF2575-2RS-PE | Rolling Bearings |
|-----------------|------------------|

| | |
|----|--------------|
| FM | Drive System |
|----|--------------|

| | |
|---------------|----------|
| 4x KWVE25-B-H | Carriage |
|---------------|----------|