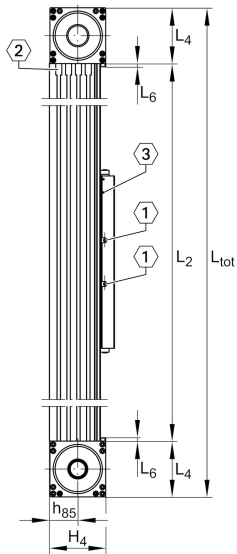
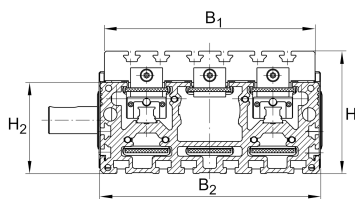
**MDKUVE25-365-3ZR-W2-N** [↗](#)

## Módulo lineal

Tandem actuators with four-row linear recirculating bearing and guideway assembly, monorail guidance system and toothed belt drive. With triple toothed belt, second, driven carriage and fixing slots in carriage

## Información técnica



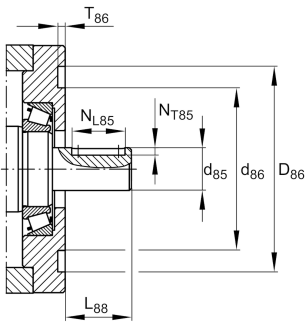
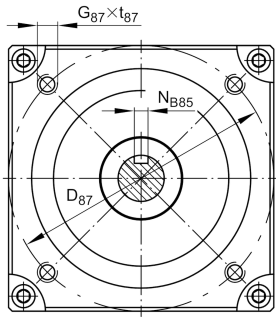
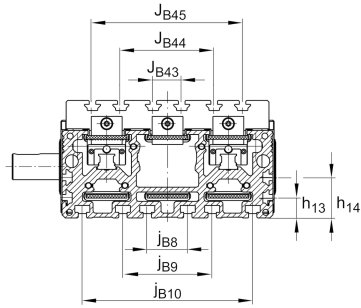
## Variante de su producto actual

Size code	25	
Length of carriage	365	365 mm
Ejecución	/	Basis
Drive type	(3)ZR	Toothed belt drive
Additional carriage	W2	Second, driven carriage
Attachment to the carriage	N	T-Slots
<b>n.r.</b>		

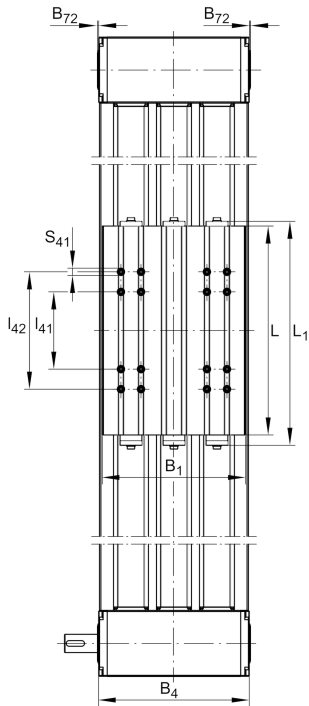
/ Support Rail Design

## Medidas principales y datos de rendimiento

B 2	260 mm	Total Width
H	145 mm	Total Height
L	365 mm	Length of Carriage

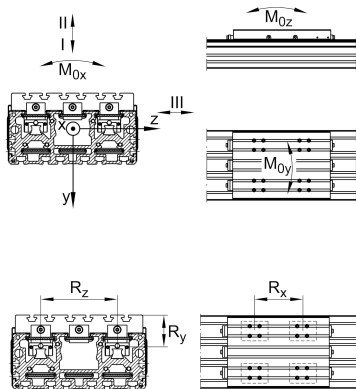
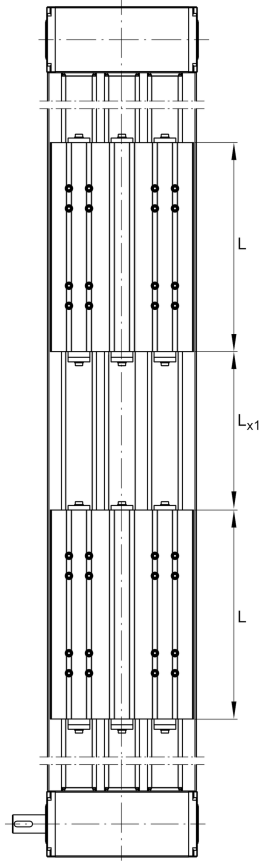
**Medidas de montaje**

B <sub>1</sub>	250 mm	Width of Carriage
D <sub>86</sub>	95 mm	
Tol D <sub>86</sub>	G7	Tolerance
D <sub>87</sub>	115 mm	
d <sub>85</sub>	32 mm	Tolerance h7
d <sub>86</sub>	76 mm	
G <sub>87</sub>	M8	
h <sub>13</sub>	25 mm	
h <sub>14</sub>	50 mm	
J <sub>B43</sub>	35 mm	
j <sub>B8</sub>	50 mm	
L <sub>2 max</sub>	6.000 mm	Maximum length of Support Rail
L <sub>88</sub>	60 mm	
N <sub>B85</sub>	10 mm	Tolerance P9
N <sub>L85</sub>	32 mm	Length of Keyway
N <sub>T85</sub>	5 mm	Depth of Keyway
S <sub>41</sub>	13 mm	
t <sub>87 max</sub>	15 mm	Depth of Thread
j <sub>B9</sub>	110 mm	
j <sub>B10</sub>	210 mm	
J <sub>B44</sub>	115 mm	
J <sub>B45</sub>	185 mm	



### Medidas

B 72	2 mm	
H 2	108 mm	Height of Support Rail
H 4	120,5 mm	Height of Return Unit
h 85	63 mm	
L 1	405 mm	
L 4	115,5 mm	Length of Return Unit
L 6	6 mm	Length of Wiper Brushes
l 41	135 mm	
l 42	205 mm	
L x1 min	100 mm	
B 4	263 mm	Width of Return Unit
T 86	4 mm	Depth Fit



Datos técnicos

$R_x$	170 mm	
$R_y$	72,8 mm	
$R_z$	150 mm	
S	85 mm	Safety Distance
$m_{LAW}$	12,81 kg	
$m_3$	12,81 kg	Mass of additional Carriage
$v_{max}$	5 m/s	Maximum Speed
$a_{max}$	30 m/s <sup>2</sup>	Maximum Acceleration
I C	47.200 N	Load direction I: compressive load
I C <sub>0</sub>	148.000 N	Load direction I: compressive load
II C	47.200 N	Load direction II: tensile load
II C <sub>0</sub>	148.000 N	Load direction II: tensile load
III C	47.200 N	Load direction III: lateral load
III C <sub>0</sub>	148.000 N	Load direction III: lateral load
$M_{0x\ per}$	9.500 Nm	Max. permissible static moment per Carriage
$M_{0y\ per}$	9.200 Nm	Max. permissible static moment per Carriage
$M_{0z\ per}$	9.200 Nm	Max. permissible static moment per Carriage
$I_y$	7.069 cm <sup>4</sup>	Geometrical moments of inertia of Support Rail
$I_z$	899 cm <sup>4</sup>	Geometrical moments of inertia of Support Rail



### Información adicional

207 Nm	Max. permissible drive torque
4xKWVE25-B-H	Carriage
0,1 mm	Repeat Accuracy ±
230 mm	Feed (mm/rotation)
50AT10	Toothed Belt
0,945 kg/m	Mass of Toothed Belt
5.640 N	Permissible Toothed Belt operating force
35,2 kg*cm <sup>2</sup>	Mass moment of inertia of Gears

### Rango de temperatura

max	80 °C	Maximum operating Temperatur
min	0 °C	Minimum operating Temperatur