**LTE50-280-B-TR32x6-M-1**

## Mesa lineal

Linear tables with closed shaft guidance system and trapezoidal lead screw drive, with shaft support block type B, with bellows, with single nut

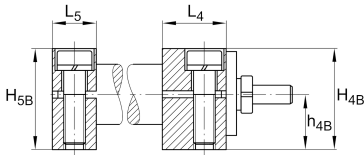
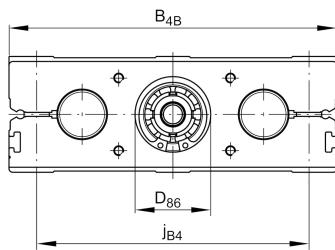
## Información técnica

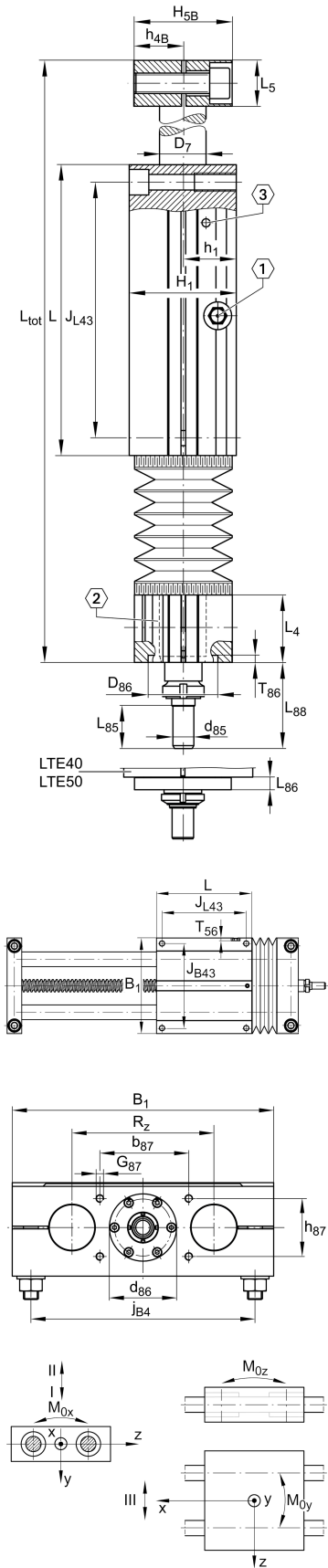
## Variante de su producto actual

Size code	50	
Length of carriage	280	280 mm
Version	B	
Drive type	TGT	Trapezoidal screw drive
Spindle pitch	06	6 mm
Spindle diameter	32	32mm
Spindle nut design	M	Cylinder nut
Bellow	1	Yes

## Medidas principales y datos de rendimiento

B <sub>1</sub>	280 mm	Total Width
L	280 mm	Length of Carriage



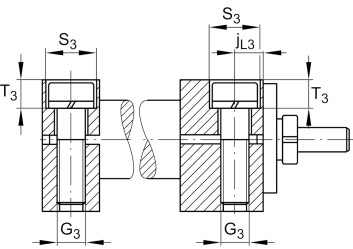


**Medidas de montaje**

B 4B	280 mm	Width of Shaft Support Blocks
b 87	62 mm	Tolerance $\pm 0,2$
D 86	0 mm	Tolerance H7
d 85	16 mm	Tolerance h7
d 86	72 mm	Tolerance g7
G 3	M16	Thread
G 43	M16	Thread
G 87	M8x18	Thread
h 85	52 mm	
h 87	62 mm	Tolerance $\pm 0,2$
J B43	250 mm	
J L43	250 mm	
j B4	240 mm	
j L3	15 mm	
K 43	M12	Thread
L 85	23 mm	
L 86	9 mm	
L 88	46 mm	
S 3	26 mm	
T 3	21 mm	
t 43	34 mm	Depth of Thread



**Medidas**



B B	22 mm	Length of Bellows Fastener
F <sub>BL</sub>	1,24	Effective length factor of bellow
H <sub>1</sub>	96 mm	Height of Carriage
H <sub>4B</sub>	88 mm	Height of Shaft Support Blocks
H <sub>5B</sub>	88 mm	Height of Shaft Support Blocks
h <sub>1</sub>	48 mm	
h <sub>4B</sub>	44 mm	
h <sub>5B</sub>	44 mm	
L <sub>4</sub>	42 mm	Length of Shaft Support Block with Drive System
L <sub>5</sub>	30 mm	Length of Shaft Support Block without drive System
D <sub>7</sub>	50 mm	Ø Shaft, Tolerance h7



### Datos técnicos

R <sub>X</sub>	163 mm	
R <sub>Z</sub>	152 mm	
S	6 mm	Safety Distance
m <sub>LAW</sub>	16,5 kg	Mass of Carriage
v <sub>max</sub>	0,15 m/s	Maximum Speed
a <sub>max</sub>	2,5 m/s <sup>2</sup>	Maximum Acceleration
C <sub>I</sub>	22.950 N	Load direction I: compressive load
C <sub>0I</sub>	25.200 N	Load direction I: compressive load
C <sub>II</sub>	22.950 N	Load direction II: tensile load
C <sub>0II</sub>	25.200 N	Load direction II: tensile load
C <sub>III</sub>	22.950 N	Load direction III: lateral load
C <sub>0III</sub>	25.200 N	Load direction III: lateral load
M <sub>0x per</sub>	1.904 Nm	Max. permissible static moment per Carriage
M <sub>0y per</sub>	1.736 Nm	Max. permissible static moment per Carriage
M <sub>0z per</sub>	1.510 Nm	Max. permissible static moment per Carriage
d <sub>0</sub>	32 mm	Spindle Diameter
P	6 mm	Spindle Pitch
C <sub>0</sub>	5.530 N	Load capacity Spindle Nut stat
C <sub>0a</sub>	5.530 N	Load capacity fixed Spindle bearing stat

### Información adicional

	5 Nm	Max. permissible drive torque
	KB50-P	Linear Ball Bearings
	3304-2RS	Rolling Bearings (locating bearing)
	0,25 mm	Repeat accuracy ±
	5,45 kg*cm <sup>2</sup>	Mass moment of inertia of threaded Spindle



### Rango de temperatura

---

0 °C

Minimum operating Temperatur

80 °C

Maximum operating Temperatur