**LTE50-280-B-TR32x6-M-0**

Mesa lineal

Linear tables with closed shaft guidance system and trapezoidal lead screw drive, with shaft support block type B, without bellows, with single nut

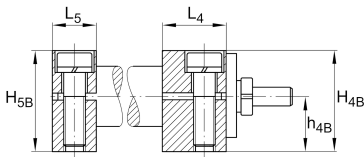
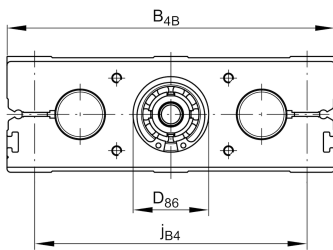
Información técnica

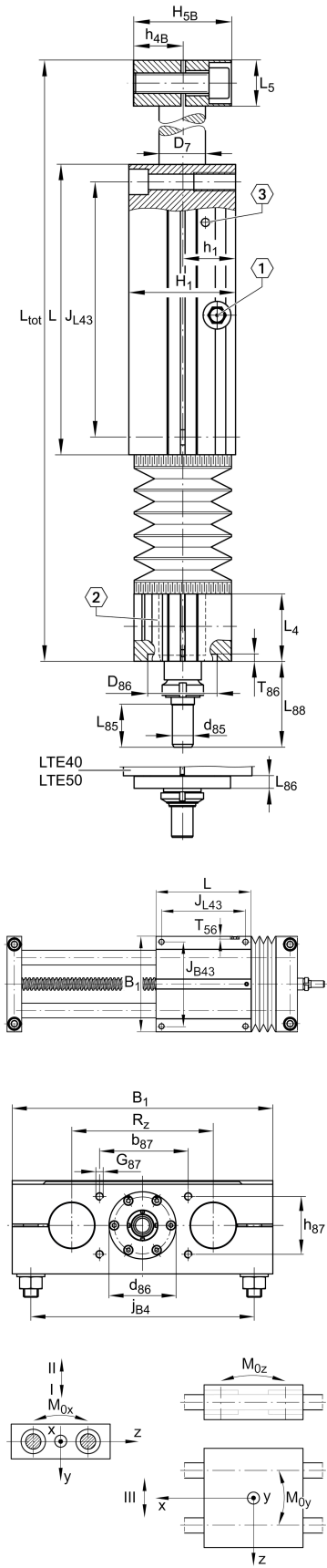
Variante de su producto actual

Size code	50	
Length of carriage	280	280 mm
Version	B	
Drive type	TGT	Trapezoidal screw drive
Spindle pitch	06	6 mm
Spindle diameter	32	32mm
Spindle nut design	M	Cylinder nut
Bellow	0	No

Medidas principales y datos de rendimiento

B ₁	280 mm	Total Width
L	280 mm	Length of Carriage





Medidas de montaje

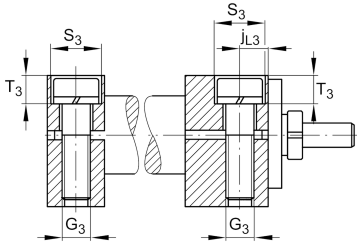
B 4B	280 mm	Width of Shaft Support Blocks
b 87	62 mm	Tolerance $\pm 0,2$
D 86	0 mm	Tolerance H7
d 85	16 mm	Tolerance h7
d 86	72 mm	Tolerance g7
G 3	M16	Thread
G 43	M16	Thread
G 87	M8x18	Thread
h 85	52 mm	
h 87	62 mm	Tolerance $\pm 0,2$
J B43	250 mm	
J L43	250 mm	
j B4	240 mm	
j L3	15 mm	
K 43	M12	Thread
L 85	23 mm	
L 86	9 mm	
L 88	46 mm	
S 3	26 mm	
T 3	21 mm	
t 43	34 mm	Depth of Thread



Medidas



H 1	96 mm	Height of Carriage
H 4B	88 mm	Height of Shaft Support Blocks
H 5B	88 mm	Height of Shaft Support Blocks
h 1	48 mm	
h 4B	44 mm	
h 5B	44 mm	
L 4	42 mm	Length of Shaft Support Block with Drive System
L 5	30 mm	Length of Shaft Support Block without drive System
D 7	50 mm	Ø Shaft, Tolerance h7



Datos técnicos

R X	163 mm	
R Z	152 mm	
S	6 mm	Safety Distance
m LAW	16,5 kg	Mass of Carriage
v max	0,15 m/s	Maximum Speed
a max	2,5 m/s ²	Maximum Acceleration
C I	22.950 N	Load direction I: compressive load
C 0I	25.200 N	Load direction I: compressive load
C II	22.950 N	Load direction II: tensile load
C 0II	25.200 N	Load direction II: tensile load
C III	22.950 N	Load direction III: lateral load
C 0III	25.200 N	Load direction III: lateral load
M 0x per	1.904 Nm	Max. permissible static moment per Carriage
M 0y per	1.736 Nm	Max. permissible static moment per Carriage
M 0z per	1.510 Nm	Max. permissible static moment per Carriage
d 0	32 mm	Spindle Diameter
P	6 mm	Spindle Pitch
C 0	5.530 N	Load capacity Spindle Nut stat
C 0a	5.530 N	Load capacity fixed Spindle bearing stat

Información adicional

	5 Nm	Max. permissible drive torque
	KB50-P	Linear Ball Bearings
	3304-2RS	Rolling Bearings (locating bearing)
	0,25 mm	Repeat accuracy ±
	5,45 kg*cm ²	Mass moment of inertia of threaded Spindle



Rango de temperatura

0 °C

Minimum operating Temperatur

80 °C

Maximum operating Temperatur