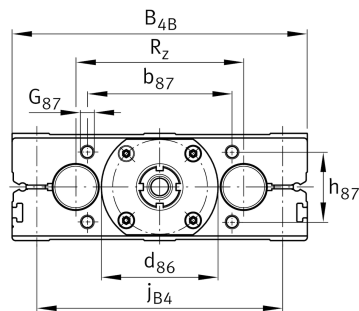


**LTE50-280-B-3210-M-0** **Mesa lineal**

Linear tables with closed shaft guidance system and ball screw drive, with shaft support block type B, without bellows, with single nut

**Información técnica****Variante de su producto actual**

Size code	50	
Length of carriage	280	280 mm
Version	B	
Drive type	KGT	Ball screw drive
Spindle pitch	10	10 mm
Spindle diameter	32	32mm
Spindle nut design	M	Cylinder nut
Bellow	0	No

**Medidas principales y datos de rendimiento**

B 1	280 mm	Total Width
L	280 mm	Length of Carriage



**Medidas de montaje**

B 4B	280 mm	Width of Shaft Support Blocks
b 87	62 mm	Tolerance $\pm 0,2$
d 85	16 mm	Tolerance h7
d 86	72 mm	Tolerance g7
G 3	M16	Thread
G 43	M16	Thread
G 87	M8x18	Thread
h 85	52 mm	
h 87	62 mm	Tolerance $\pm 0,2$
J B43	250 mm	
J L43	250 mm	
j B4	240 mm	
j L3	15 mm	
K 43	M12	Thread
L 85	23 mm	
L 86	9 mm	
L 88	46 mm	
S 3	26 mm	
T 3	21 mm	
t 43	34 mm	Depth of Thread



### Medidas

H 1	96 mm	Height of Carriage
H 4B	88 mm	Height of Shaft Support Blocks
H 5B	88 mm	Height of Shaft Support Blocks
h 1	48 mm	
h 4B	44 mm	
h 5B	44 mm	
L 4	42 mm	Length of Shaft Support Block with Drive System
L 5	30 mm	Length of Shaft Support Block without drive System
D 7	50 mm	Ø Shaft, Tolerance h7



### Datos técnicos

R <sub>x</sub>	163 mm	
R <sub>z</sub>	152 mm	
S	10 mm	Safety Distance
m <sub>LAW</sub>	16,5 kg	Mass of Carriage
v <sub>max</sub>	0,5 m/s	Maximum Speed
a <sub>max</sub>	20 m/s <sup>2</sup>	Maximum Acceleration
C <sub>I</sub>	22.950 N	Load direction I: compressive load
C <sub>0I</sub>	25.200 N	Load direction I: compressive load
C <sub>II</sub>	22.950 N	Load direction II: tensile load
C <sub>0II</sub>	25.200 N	Load direction II: tensile load
C <sub>III</sub>	22.950 N	Load direction III: lateral load
C <sub>0III</sub>	25.200 N	Load direction III: lateral load
M <sub>0x per</sub>	1.904 Nm	Max. permissible static moment per Carriage
M <sub>0y per</sub>	1.736 Nm	Max. permissible static moment per Carriage
M <sub>0z per</sub>	1.510 Nm	Max. permissible static moment per Carriage
d <sub>0</sub>	32 mm	Spindle Diameter
P	10 mm	Spindle Pitch
C	33.400 N	Load capacity Spindle Nut dyn
C <sub>0</sub>	54.500 N	Load capacity Spindle Nut stat
C <sub>a</sub>	26.000 N	Load capacity fixed Spindle bearing dyn
C <sub>0a</sub>	47.000 N	Load capacity fixed Spindle bearing stat

### Información adicional

50 Nm	Max. permissible drive torque
KB50-P	Linear Ball Bearings
ZKLN2052-2RS-PE	Rolling Bearings (locating bearing)
0,05 mm	Repeat accuracy ±
6,43 kg*cm <sup>2</sup>	Mass moment of inertia of threaded Spindle



### Rango de temperatura

---

0 °C

Minimum operating Temperatur

80 °C

Maximum operating Temperatur