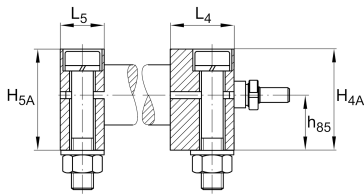
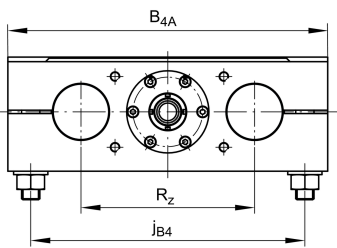
**LTE50-280-A-TR32x6-M-0** **Mesa lineal**

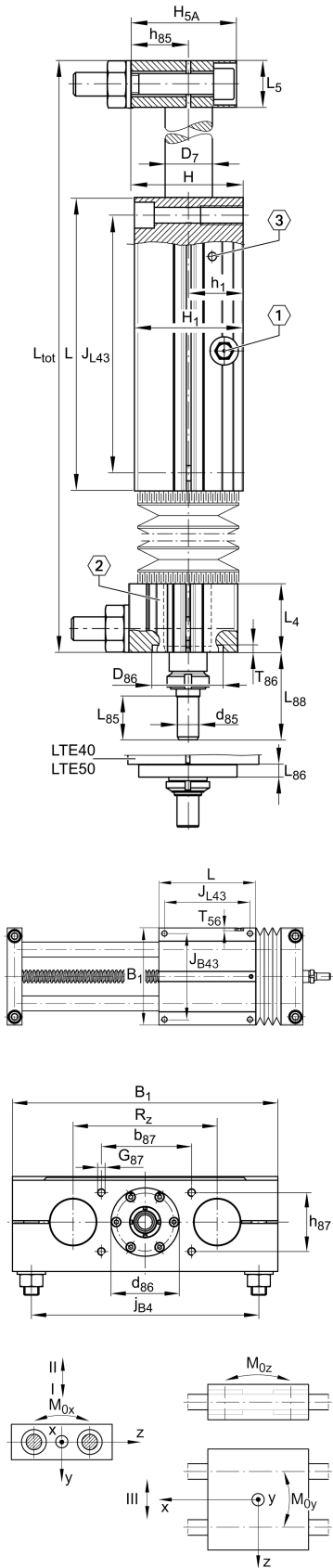
Linear tables with closed shaft guidance system and trapezoidal lead screw drive, with shaft support block type A, without bellows, with single nut

Información técnica**Variante de su producto actual**

Size code	50	
Length of carriage	280	280 mm
Version	A	
Drive type	TGT	Trapezoidal screw drive
Spindle pitch	06	6 mm
Spindle diameter	32	32mm
Spindle nut design	M	Cylinder nut
Bellow	0	No

Medidas principales y datos de rendimiento

B ₁	280 mm	Total Width
H	100 mm	Total Height
L	280 mm	Length of Carriage



Medidas de montaje

B 4A	280 mm	Width of Shaft Support Blocks
b 87	62 mm	Tolerance $\pm 0,2$
D 3	17,5 mm	
D 86	0 mm	Tolerance H7
d 85	16 mm	Tolerance h7
d 86	72 mm	Tolerance g7
G 43	M16	Thread
G 87	M8x18	Thread
h 85	52 mm	
h 87	62 mm	Tolerance $\pm 0,2$
J B43	250 mm	
J L43	250 mm	
j B4	240 mm	
j L3	15 mm	
K 43	M12	Thread
L 85	23 mm	
L 86	9 mm	
L 88	46 mm	
S 3	26 mm	
T 3	21 mm	

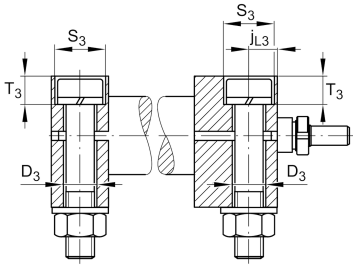
t 43	34 mm	Depth of Thread
------	-------	-----------------



Medidas



H 1	96 mm	Height of Carriage
H 4A	96 mm	Height of Shaft Support Blocks
H 5A	96 mm	Height of Shaft Support Blocks
h 1	48 mm	
L 4	42 mm	Length of Shaft Support Block with Drive System
L 5	30 mm	Length of Shaft Support Block without drive System
D 7	50 mm	Ø Shaft, Tolerance h7

**Datos técnicos**

R _X	163 mm	
R _Z	152 mm	
S	6 mm	Safety Distance
m _{LAW}	16,5 kg	Mass of Carriage
v _{max}	0,15 m/s	Maximum Speed
a _{max}	2,5 m/s ²	Maximum Acceleration
C _I	22.950 N	Load direction I: compressive load
C _{0I}	25.200 N	Load direction I: compressive load
C _{II}	22.950 N	Load direction II: tensile load
C _{0II}	25.200 N	Load direction II: tensile load
C _{III}	22.950 N	Load direction III: lateral load
C _{0III}	25.200 N	Load direction III: lateral load
M _{0x per}	1.904 Nm	Max. permissible static moment per Carriage
M _{0y per}	1.736 Nm	Max. permissible static moment per Carriage
M _{0z per}	1.510 Nm	Max. permissible static moment per Carriage
d ₀	32 mm	Spindle Diameter
P	6 mm	Spindle Pitch
C ₀	5.530 N	Load capacity Spindle Nut stat
C _{0a}	5.530 N	Load capacity fixed Spindle bearing stat

Información adicional

	5 Nm	Max. permissible drive torque
	KB50-P	Linear Ball Bearings
	3304-2RS	Rolling Bearings (locating bearing)
	0,25 mm	Repeat accuracy ±
	5,45 kg*cm ²	Mass moment of inertia of threaded Spindle



Rango de temperatura

0 °C

Minimum operating Temperatur

80 °C

Maximum operating Temperatur