

**LTE50-280-A-3210-MM-1** **Mesa lineal**

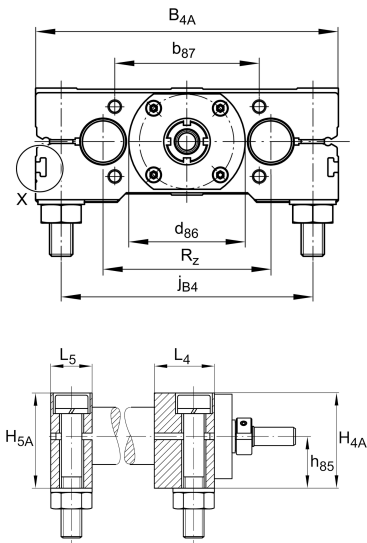
Linear tables with closed shaft guidance system and ball screw drive, with shaft support block type A, with bellows, with double nut

Información técnica**Variante de su producto actual**

Size code	50	
Length of carriage	280	280 mm
Version	A	
Drive type	KGT	Ball screw drive
Spindle pitch	10	10 mm
Spindle diameter	32	32mm
Spindle nut design	MM	Double cylinder nut
Bellow	1	Yes

Medidas principales y datos de rendimiento

B ₁	280 mm	Total Width
H	100 mm	Total Height
L	280 mm	Length of Carriage



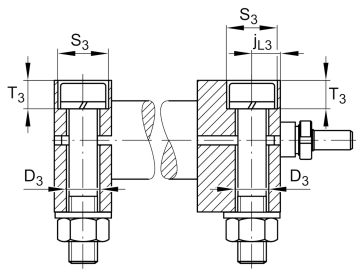
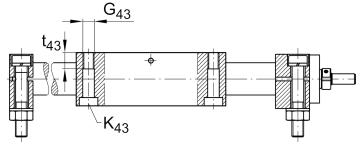


Medidas de montaje

B 4A	280 mm	Width of Shaft Support Blocks
b 87	62 mm	Tolerance $\pm 0,2$
D 3	17,5 mm	
d 85	16 mm	Tolerance h7
d 86	72 mm	Tolerance g7
G 43	M16	Thread
G 87	M8x18	Thread
h 85	52 mm	
h 87	62 mm	Tolerance $\pm 0,2$
J B43	250 mm	
J L43	250 mm	
j B4	240 mm	
j L3	15 mm	
K 43	M12	Thread
L 85	23 mm	
L 86	9 mm	
L 88	46 mm	
S 3	26 mm	
T 3	21 mm	
t 43	34 mm	Depth of Thread



Medidas



B B	22 mm	Length of Bellows Fastener
F _{BL}	1,24	Effective length factor of bellow
H ₁	96 mm	Height of Carriage
H _{4A}	96 mm	Height of Shaft Support Blocks
H _{5A}	96 mm	Height of Shaft Support Blocks
h ₁	48 mm	
L ₄	42 mm	Length of Shaft Support Block with Drive System
L ₅	30 mm	Length of Shaft Support Block without drive System
D ₇	50 mm	Ø Shaft, Tolerance h7



Datos técnicos

R _x	163 mm	
R _z	152 mm	
S	10 mm	Safety Distance
m _{LAW}	16,5 kg	Mass of Carriage
v _{max}	0,5 m/s	Maximum Speed
a _{max}	10 m/s ²	Maximum Acceleration
C _I	22.950 N	Load direction I: compressive load
C _{0I}	25.200 N	Load direction I: compressive load
C _{II}	22.950 N	Load direction II: tensile load
C _{0II}	25.200 N	Load direction II: tensile load
C _{III}	22.950 N	Load direction III: lateral load
C _{0III}	25.200 N	Load direction III: lateral load
M _{0x per}	1.904 Nm	Max. permissible static moment per Carriage
M _{0y per}	1.736 Nm	Max. permissible static moment per Carriage
M _{0z per}	1.510 Nm	Max. permissible static moment per Carriage
d ₀	32 mm	Spindle Diameter
P	10 mm	Spindle Pitch
C	33.400 N	Load capacity Spindle Nut dyn
C ₀	54.500 N	Load capacity Spindle Nut stat
C _a	26.000 N	Load capacity fixed Spindle bearing dyn
C _{0a}	47.000 N	Load capacity fixed Spindle bearing stat

Información adicional

50 Nm	Max. permissible drive torque
KB50-P	Linear Ball Bearings
ZKLN2052-2RS-PE	Rolling Bearings (locating bearing)
0,025 mm	Repeat accuracy ±
6,43 kg*cm ²	Mass moment of inertia of threaded Spindle



Rango de temperatura

0 °C

Minimum operating Temperatur

80 °C

Maximum operating Temperatur