**LTE40-230-B-TR24x5-M-1**

Mesa lineal

Linear tables with closed shaft guidance system and trapezoidal lead screw drive, with shaft support block type B, with bellows, with single nut

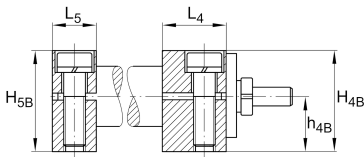
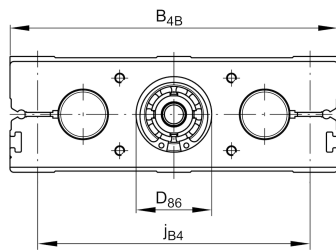
Información técnica

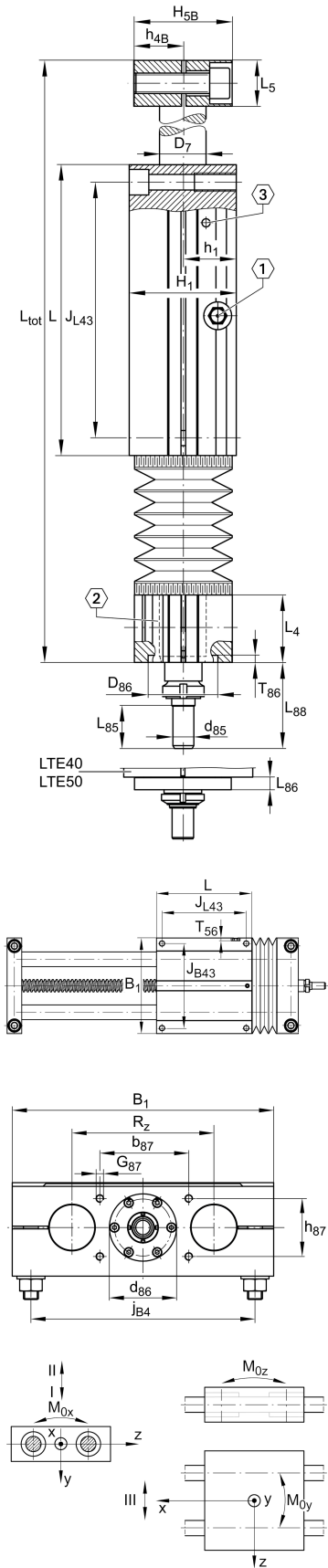
Variante de su producto actual

Size code	40	indicación de tamaño
Length of carriage	230	230 mm
Version	B	
Drive type	TGT	Trapezoidal screw drive
Spindle pitch	05	5 mm
Spindle diameter	24	24mm
Spindle nut design	M	Cylinder nut
Bellow	1	Yes

Medidas principales y datos de rendimiento

B ₁	230 mm	Total Width
L	230 mm	Length of Carriage



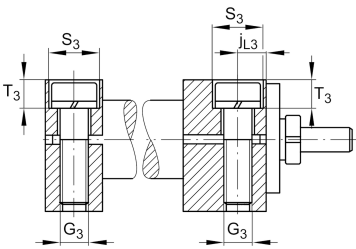
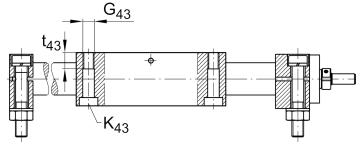


Medidas de montaje

B 4B	230 mm	Width of Shaft Support Blocks
b 87	68 mm	Tolerance $\pm 0,2$
D 86	0 mm	Tolerance H7
d 85	16 mm	Tolerance h7
d 86	66 mm	Tolerance g7
G 3	M16	Thread
G 43	M16	Thread
G 87	M8x18	Thread
h 85	44 mm	
h 87	56 mm	Tolerance $\pm 0,2$
J B43	202 mm	
J L43	202 mm	
j B4	190 mm	
j L3	15 mm	
K 43	M12	Thread
L 85	23 mm	
L 86	9 mm	
L 88	46 mm	
S 3	26 mm	
T 3	14,5 mm	
t 43	34 mm	Depth of Thread



Medidas



B B	22 mm	Length of Bellows Fastener
F _{BL}	1,28	Effective length factor of bellow
H ₁	80 mm	Height of Carriage
H _{4B}	72 mm	Height of Shaft Support Blocks
H _{5B}	72 mm	Height of Shaft Support Blocks
h ₁	40 mm	
h _{4B}	36 mm	
h _{5B}	36 mm	
L ₄	39 mm	Length of Shaft Support Block with Drive System
L ₅	30 mm	Length of Shaft Support Block without drive System
D ₇	40 mm	Ø Shaft, Tolerance h7



Datos técnicos

R _X	134 mm	
R _Z	122 mm	
S	5 mm	Safety Distance
m _{LAW}	10,4 kg	Mass of Carriage
v _{max}	0,125 m/s	Maximum Speed
a _{max}	2,5 m/s ²	Maximum Acceleration
C _I	15.830 N	Load direction I: compressive load
C _{0I}	17.600 N	Load direction I: compressive load
C _{II}	15.830 N	Load direction II: tensile load
C _{0II}	17.600 N	Load direction II: tensile load
C _{III}	15.830 N	Load direction III: lateral load
C _{0III}	17.600 N	Load direction III: lateral load
M _{0x per}	1.080 Nm	Max. permissible static moment per Carriage
M _{0y per}	970 Nm	Max. permissible static moment per Carriage
M _{0z per}	876 Nm	Max. permissible static moment per Carriage
d ₀	24 mm	Spindle Diameter
P	5 mm	Spindle Pitch
C ₀	2.500 N	Load capacity Spindle Nut stat
C _{0a}	2.500 N	Load capacity fixed Spindle bearing stat

Información adicional

	5 Nm	Max. permissible drive torque
	KB40-P	Linear Ball Bearings
	3303-2RS	Rolling Bearings (locating bearing)
	0,25 mm	Repeat accuracy ±
	1,65 kg*cm ²	Mass moment of inertia of threaded Spindle



Rango de temperatura

0 °C

Minimum operating Temperatur

80 °C

Maximum operating Temperatur