**LTE40-230-B-TR24x10-M-1** **Mesa lineal**

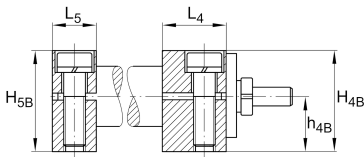
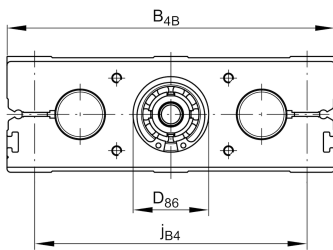
Linear tables with closed shaft guidance system and trapezoidal lead screw drive, with shaft support block type B, with bellows, with single nut

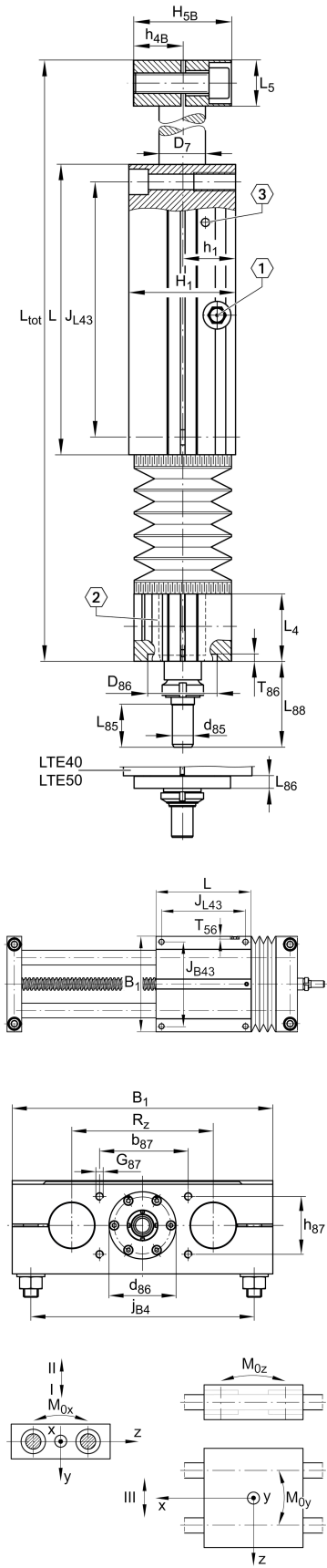
Información técnica**Variante de su producto actual**

Size code	40	indicación de tamaño
Length of carriage	230	230 mm
Version	B	
Drive type	TGT	Trapezoidal screw drive
Spindle pitch	10	10 mm
Spindle diameter	24	24mm
Spindle nut design	M	Cylinder nut
Bellow	1	Yes

Medidas principales y datos de rendimiento

B ₁	230 mm	Total Width
L	230 mm	Length of Carriage



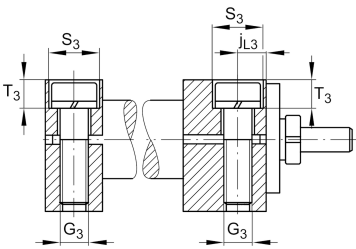
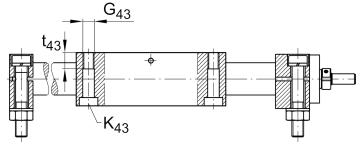


Medidas de montaje

B 4B	230 mm	Width of Shaft Support Blocks
b 87	68 mm	Tolerance $\pm 0,2$
D 86	0 mm	Tolerance H7
d 85	16 mm	Tolerance h7
d 86	66 mm	Tolerance g7
G 3	M16	Thread
G 43	M16	Thread
G 87	M8x18	Thread
h 85	44 mm	
h 87	56 mm	Tolerance $\pm 0,2$
J B43	202 mm	
J L43	202 mm	
j B4	190 mm	
j L3	15 mm	
K 43	M12	Thread
L 85	23 mm	
L 86	9 mm	
L 88	46 mm	
S 3	26 mm	
T 3	14,5 mm	
t 43	34 mm	Depth of Thread



Medidas



B B	22 mm	Length of Bellows Fastener
F _{BL}	1,28	Effective length factor of bellow
H ₁	80 mm	Height of Carriage
H _{4B}	72 mm	Height of Shaft Support Blocks
H _{5B}	72 mm	Height of Shaft Support Blocks
h ₁	40 mm	
h _{4B}	36 mm	
h _{5B}	36 mm	
L ₄	39 mm	Length of Shaft Support Block with Drive System
L ₅	30 mm	Length of Shaft Support Block without drive System
D ₇	40 mm	Ø Shaft, Tolerance h7



Datos técnicos

R _X	134 mm	
R _Z	122 mm	
S	10 mm	Safety Distance
m _{LAW}	10,4 kg	Mass of Carriage
v _{max}	0,25 m/s	Maximum Speed
a _{max}	2,5 m/s ²	Maximum Acceleration
C _I	15.830 N	Load direction I: compressive load
C _{0I}	17.600 N	Load direction I: compressive load
C _{II}	15.830 N	Load direction II: tensile load
C _{0II}	17.600 N	Load direction II: tensile load
C _{III}	15.830 N	Load direction III: lateral load
C _{0III}	17.600 N	Load direction III: lateral load
M _{0x per}	1.080 Nm	Max. permissible static moment per Carriage
M _{0y per}	970 Nm	Max. permissible static moment per Carriage
M _{0z per}	876 Nm	Max. permissible static moment per Carriage
d ₀	24 mm	Spindle Diameter
P	10 mm	Spindle Pitch
C ₀	2.500 N	Load capacity Spindle Nut stat
C _{0a}	2.500 N	Load capacity fixed Spindle bearing stat

Información adicional

	5 Nm	Max. permissible drive torque
	KB40-P	Linear Ball Bearings
	3303-2RS	Rolling Bearings (locating bearing)
	0,25 mm	Repeat accuracy ±
	1,65 kg*cm ²	Mass moment of inertia of threaded Spindle



Rango de temperatura

0 °C

Minimum operating Temperatur

80 °C

Maximum operating Temperatur