

**LTE40-230-A-3240-M-1** [↗](#)

Mesa lineal

Linear tables with closed shaft guidance system and ball screw drive, with shaft support block type A, with bellows, with single nut

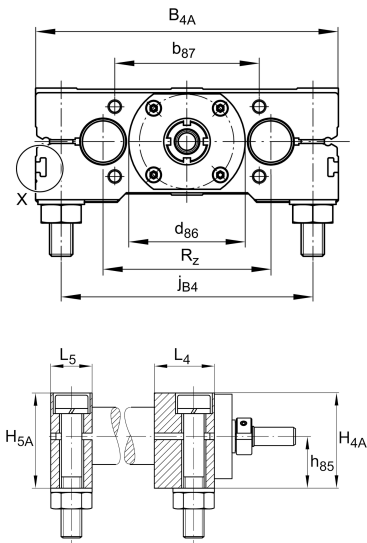
Información técnica

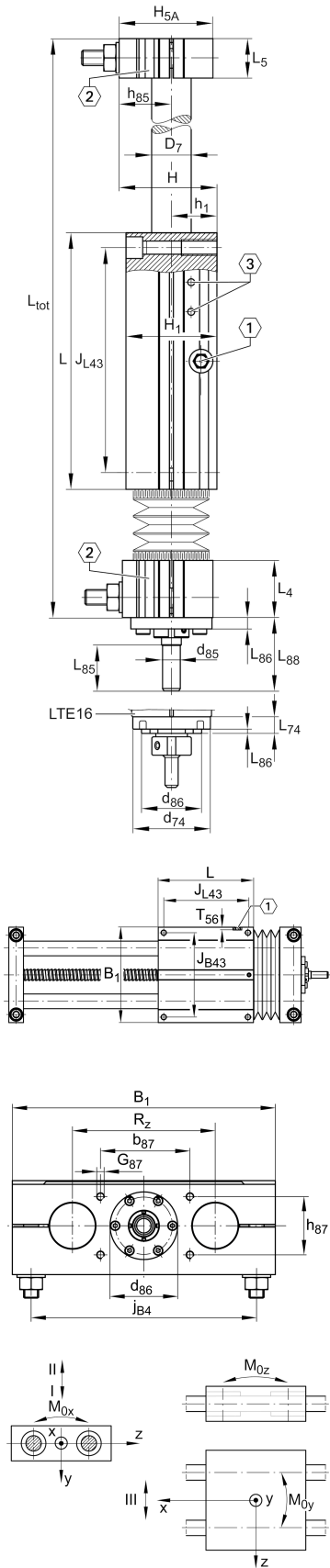
Variante de su producto actual

Size code	40	indicación de tamaño
Length of carriage	230	230 mm
Version	A	
Drive type	KGT	Ball screw drive
Spindle pitch	40	40 mm
Spindle diameter	32	32mm
Spindle nut design	M	Cylinder nut
Bellow	1	Yes

Medidas principales y datos de rendimiento

B ₁	230 mm	Total Width
H	84 mm	Total Height
L	230 mm	Length of Carriage



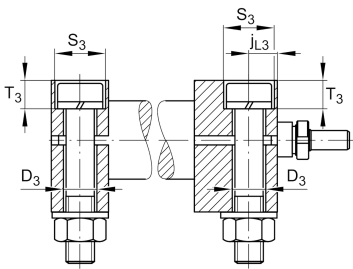


Medidas de montaje

B 4A	230 mm	Width of Shaft Support Blocks
b 87	68 mm	Tolerance $\pm 0,2$
D 3	17,5 mm	
d 85	16 mm	Tolerance h7
d 86	72 mm	Tolerance g7
G 43	M16	Thread
G 87	M8x18	Thread
h 85	44 mm	
h 87	56 mm	Tolerance $\pm 0,2$
J B43	202 mm	
J L43	202 mm	
j B4	190 mm	
j L3	15 mm	
K 43	M12	Thread
L 85	23 mm	
L 86	9 mm	
L 88	46 mm	
S 3	26 mm	
T 3	14,5 mm	
t 43	34 mm	Depth of Thread



Medidas



B B	22 mm	Length of Bellows Fastener
F _{BL}	1,28	Effective length factor of bellow
H ₁	80 mm	Height of Carriage
H _{4A}	80 mm	Height of Shaft Support Blocks
H _{5A}	80 mm	Height of Shaft Support Blocks
h ₁	40 mm	
L ₄	42 mm	Length of Shaft Support Block with Drive System
L ₅	30 mm	Length of Shaft Support Block without drive System
D ₇	40 mm	Ø Shaft, Tolerance h7



Datos técnicos

R _x	134 mm	
R _z	122 mm	
S	40 mm	Safety Distance
m _{LAW}	10,6 kg	Mass of Carriage
v _{max}	2 m/s	Maximum Speed
a _{max}	20 m/s ²	Maximum Acceleration
C _I	15.830 N	Load direction I: compressive load
C _{0I}	17.600 N	Load direction I: compressive load
C _{II}	15.830 N	Load direction II: tensile load
C _{0II}	17.600 N	Load direction II: tensile load
C _{III}	15.830 N	Load direction III: lateral load
C _{0III}	17.600 N	Load direction III: lateral load
M _{0x per}	1.080 Nm	Max. permissible static moment per Carriage
M _{0y per}	970 Nm	Max. permissible static moment per Carriage
M _{0z per}	876 Nm	Max. permissible static moment per Carriage
d ₀	32 mm	Spindle Diameter
P	40 mm	Spindle Pitch
C	14.900 N	Load capacity Spindle Nut dyn
C ₀	32.400 N	Load capacity Spindle Nut stat
C _a	26.000 N	Load capacity fixed Spindle bearing dyn
C _{0a}	47.000 N	Load capacity fixed Spindle bearing stat

Información adicional

50 Nm	Max. permissible drive torque
KB40-P	Linear Ball Bearings
ZKLN2052-2RS-PE	Rolling Bearings (locating bearing)
0,05 mm	Repeat accuracy ±
6,43 kg*cm ²	Mass moment of inertia of threaded Spindle



Rango de temperatura

0 °C

Minimum operating Temperatur

80 °C

Maximum operating Temperatur