

**LTE40-230-A-3240-M-0** [↗](#)

## Mesa lineal

Linear tables with closed shaft guidance system and ball screw drive, with shaft support block type A, without bellows, with single nut

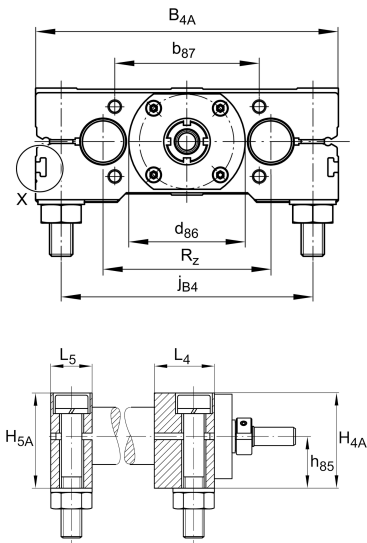
## Información técnica

## Variante de su producto actual

Size code	40	indicación de tamaño
Length of carriage	230	230 mm
Version	A	
Drive type	KGT	Ball screw drive
Spindle pitch	40	40 mm
Spindle diameter	32	32mm
Spindle nut design	M	Cylinder nut
Bellow	0	No

## Medidas principales y datos de rendimiento

B <sub>1</sub>	230 mm	Total Width
H	84 mm	Total Height
L	230 mm	Length of Carriage





**Medidas de montaje**

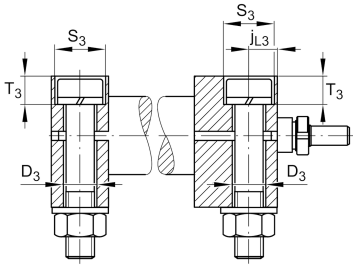
B 4A	230 mm	Width of Shaft Support Blocks
b 87	68 mm	Tolerance $\pm 0,2$
D 3	17,5 mm	
d 85	16 mm	Tolerance h7
d 86	72 mm	Tolerance g7
G 43	M16	Thread
G 87	M8x18	Thread
h 85	44 mm	
h 87	56 mm	Tolerance $\pm 0,2$
J B43	202 mm	
J L43	202 mm	
j B4	190 mm	
j L3	15 mm	
K 43	M12	Thread
L 85	23 mm	
L 86	9 mm	
L 88	46 mm	
S 3	26 mm	
T 3	14,5 mm	
t 43	34 mm	Depth of Thread



### Medidas



H 1	80 mm	Height of Carriage
H 4A	80 mm	Height of Shaft Support Blocks
H 5A	80 mm	Height of Shaft Support Blocks
h 1	40 mm	
L 4	42 mm	Length of Shaft Support Block with Drive System
L 5	30 mm	Length of Shaft Support Block without drive System
D 7	40 mm	Ø Shaft, Tolerance h7



### Datos técnicos

R X	134 mm	
R Z	122 mm	
S	40 mm	Safety Distance
m LAW	10,6 kg	Mass of Carriage
v max	2 m/s	Maximum Speed
a max	20 m/s <sup>2</sup>	Maximum Acceleration
C I	15.830 N	Load direction I: compressive load
C 0I	17.600 N	Load direction I: compressive load
C II	15.830 N	Load direction II: tensile load
C 0II	17.600 N	Load direction II: tensile load
C III	15.830 N	Load direction III: lateral load
C 0III	17.600 N	Load direction III: lateral load
M 0x per	1.080 Nm	Max. permissible static moment per Carriage
M 0y per	970 Nm	Max. permissible static moment per Carriage
M 0z per	876 Nm	Max. permissible static moment per Carriage
d 0	32 mm	Spindle Diameter
P	40 mm	Spindle Pitch
C	14.900 N	Load capacity Spindle Nut dyn
C 0	32.400 N	Load capacity Spindle Nut stat
C a	26.000 N	Load capacity fixed Spindle bearing dyn
C 0a	47.000 N	Load capacity fixed Spindle bearing stat

### Información adicional

50 Nm	Max. permissible drive torque
KB40-P	Linear Ball Bearings
ZKLN2052-2RS-PE	Rolling Bearings (locating bearing)
0,05 mm	Repeat accuracy ±
6,43 kg*cm <sup>2</sup>	Mass moment of inertia of threaded Spindle



### Rango de temperatura

---

0 °C

Minimum operating Temperatur

80 °C

Maximum operating Temperatur