

**LTE30-180-A-2010-MM-1** **Mesa lineal**

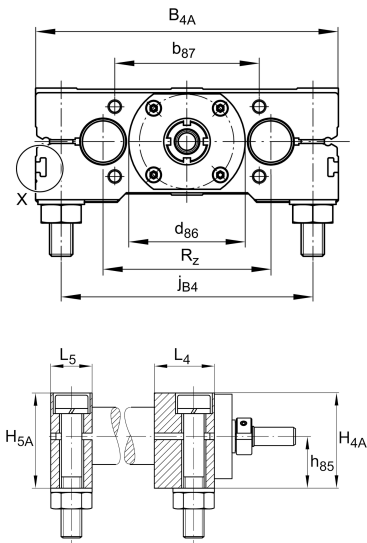
Linear tables with closed shaft guidance system and ball screw drive, with shaft support block type A, with bellows, with double nut

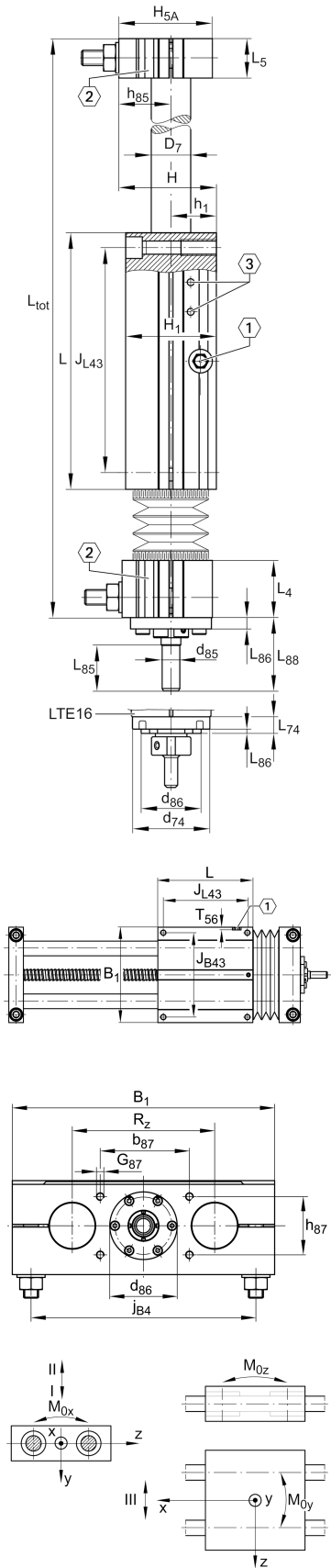
Información técnica**Variante de su producto actual**

| | | |
|--------------------|-----|---------------------|
| Size code | 30 | |
| Length of carriage | 180 | 180 mm |
| Version | A | |
| Drive type | KGT | Ball screw drive |
| Spindle pitch | 10 | 10 mm |
| Spindle diameter | 20 | 20mm |
| Spindle nut design | MM | Double cylinder nut |
| Bellow | 1 | Yes |

Medidas principales y datos de rendimiento

| | | |
|----------------|--------|--------------------|
| B ₁ | 180 mm | Total Width |
| H | 67 mm | Total Height |
| L | 180 mm | Length of Carriage |



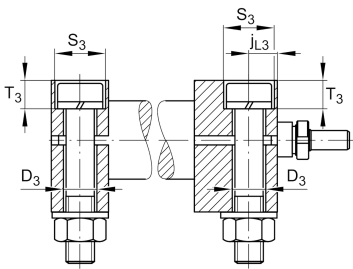
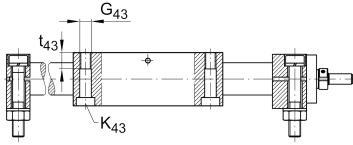


Medidas de montaje

| | | |
|-------|---------|-------------------------------|
| B 4A | 180 mm | Width of Shaft Support Blocks |
| b 87 | 68 mm | Tolerance $\pm 0,2$ |
| D 3 | 13,5 mm | |
| d 85 | 10 mm | Tolerance h7 |
| d 86 | 60 mm | Tolerance g7 |
| G 43 | M12 | Thread |
| G 87 | M6x15 | Thread |
| h 85 | 35 mm | |
| h 87 | 44 mm | Tolerance $\pm 0,2$ |
| J B43 | 158 mm | |
| J L43 | 158 mm | |
| j B4 | 150 mm | |
| j L3 | 12,5 mm | |
| K 43 | M10 | Thread |
| L 85 | 18 mm | |
| L 86 | 9 mm | |
| L 88 | 36,5 mm | |
| S 3 | 20 mm | |
| T 3 | 15,5 mm | |
| t 43 | 26 mm | Depth of Thread |



Medidas



| | | |
|-----------------|-------|--|
| B B | 21 mm | Length of Bellows Fastener |
| F _{BL} | 1,27 | Effective length factor of bellow |
| H ₁ | 64 mm | Height of Carriage |
| H _{4A} | 64 mm | Height of Shaft Support Blocks |
| H _{5A} | 64 mm | Height of Shaft Support Blocks |
| h ₁ | 32 mm | |
| L ₄ | 38 mm | Length of Shaft Support Block with Drive System |
| L ₅ | 25 mm | Length of Shaft Support Block without drive System |
| D ₇ | 30 mm | Ø Shaft, Tolerance h7 |



Datos técnicos

| | | |
|---------------------|---------------------|---|
| R _x | 98,6 mm | |
| R _z | 96 mm | |
| S | 10 mm | Safety Distance |
| m _{LAW} | 5,04 kg | Mass of Carriage |
| v _{max} | 0,5 m/s | Maximum Speed |
| a _{max} | 10 m/s ² | Maximum Acceleration |
| C _I | 9.500 N | Load direction I: compressive load |
| C _{0I} | 11.400 N | Load direction I: compressive load |
| C _{II} | 9.500 N | Load direction II: tensile load |
| C _{0II} | 11.400 N | Load direction II: tensile load |
| C _{III} | 9.500 N | Load direction III: lateral load |
| C _{0III} | 11.400 N | Load direction III: lateral load |
| M _{0x per} | 540 Nm | Max. permissible static moment per Carriage |
| M _{0y per} | 503 Nm | Max. permissible static moment per Carriage |
| M _{0z per} | 393 Nm | Max. permissible static moment per Carriage |
| d ₀ | 20 mm | Spindle Diameter |
| P | 10 mm | Spindle Pitch |
| C | 12.700 N | Load capacity Spindle Nut dyn |
| C ₀ | 22.100 N | Load capacity Spindle Nut stat |
| C _a | 17.900 N | Load capacity fixed Spindle bearing dyn |
| C _{0a} | 28.000 N | Load capacity fixed Spindle bearing stat |

Información adicional

| | |
|--------------------------|--|
| 17 Nm | Max. permissible drive torque |
| KB30-P | Linear Ball Bearings |
| ZKLN1545-2RS-PE | Rolling Bearings (locating bearing) |
| 0,025 mm | Repeat accuracy ± |
| 0,846 kg*cm ² | Mass moment of inertia of threaded Spindle |



Rango de temperatura

0 °C

Minimum operating Temperatur

80 °C

Maximum operating Temperatur