

**LTE30-180-A-2010-MM-0** **Mesa lineal**

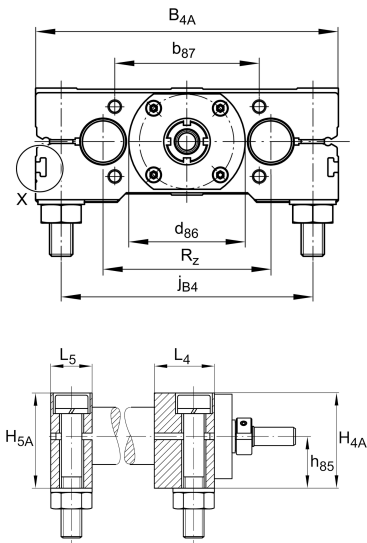
Linear tables with closed shaft guidance system and ball screw drive, with shaft support block type A, without bellows, with double nut

Información técnica**Variante de su producto actual**

Size code	30	
Length of carriage	180	180 mm
Version	A	
Drive type	KGT	Ball screw drive
Spindle pitch	10	10 mm
Spindle diameter	20	20mm
Spindle nut design	MM	Double cylinder nut
Bellow	0	No

Medidas principales y datos de rendimiento

B ₁	180 mm	Total Width
H	67 mm	Total Height
L	180 mm	Length of Carriage





Medidas de montaje

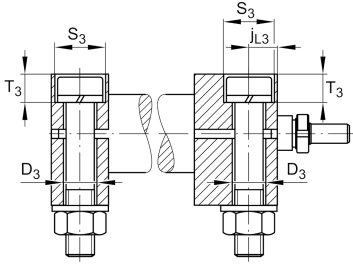
B 4A	180 mm	Width of Shaft Support Blocks
b 87	68 mm	Tolerance $\pm 0,2$
D 3	13,5 mm	
d 85	10 mm	Tolerance h7
d 86	60 mm	Tolerance g7
G 43	M12	Thread
G 87	M6x15	Thread
h 85	35 mm	
h 87	44 mm	Tolerance $\pm 0,2$
J B43	158 mm	
J L43	158 mm	
j B4	150 mm	
j L3	12,5 mm	
K 43	M10	Thread
L 85	18 mm	
L 86	9 mm	
L 88	36,5 mm	
S 3	20 mm	
T 3	15,5 mm	
t 43	26 mm	Depth of Thread



Medidas



H 1	64 mm	Height of Carriage
H 4A	64 mm	Height of Shaft Support Blocks
H 5A	64 mm	Height of Shaft Support Blocks
h 1	32 mm	
L 4	38 mm	Length of Shaft Support Block with Drive System
L 5	25 mm	Length of Shaft Support Block without drive System
D 7	30 mm	Ø Shaft, Tolerance h7

**Datos técnicos**

R X	98,6 mm	
R Z	96 mm	
S	10 mm	Safety Distance
m LAW	5,04 kg	Mass of Carriage
v max	0,5 m/s	Maximum Speed
a max	10 m/s ²	Maximum Acceleration
C I	9.500 N	Load direction I: compressive load
C 0I	11.400 N	Load direction I: compressive load
C II	9.500 N	Load direction II: tensile load
C 0II	11.400 N	Load direction II: tensile load
C III	9.500 N	Load direction III: lateral load
C 0III	11.400 N	Load direction III: lateral load
M 0x per	540 Nm	Max. permissible static moment per Carriage
M 0y per	503 Nm	Max. permissible static moment per Carriage
M 0z per	393 Nm	Max. permissible static moment per Carriage
d 0	20 mm	Spindle Diameter
P	10 mm	Spindle Pitch
C	12.700 N	Load capacity Spindle Nut dyn
C 0	22.100 N	Load capacity Spindle Nut stat
C a	17.900 N	Load capacity fixed Spindle bearing dyn
C 0a	28.000 N	Load capacity fixed Spindle bearing stat

Información adicional

17 Nm	Max. permissible drive torque
KB30-P	Linear Ball Bearings
ZKLN1545-2RS-PE	Rolling Bearings (locating bearing)
0,025 mm	Repeat accuracy ±
0,846 kg*cm ²	Mass moment of inertia of threaded Spindle



Rango de temperatura

0 °C

Minimum operating Temperatur

80 °C

Maximum operating Temperatur