**LTE25-160-B-TR16x4-M-0** **Mesa lineal**

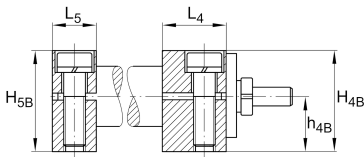
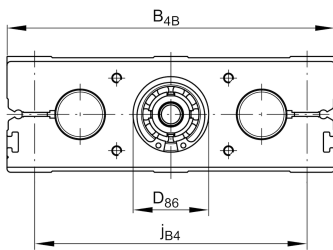
Linear tables with closed shaft guidance system and trapezoidal lead screw drive, with shaft support block type B, without bellows, with single nut

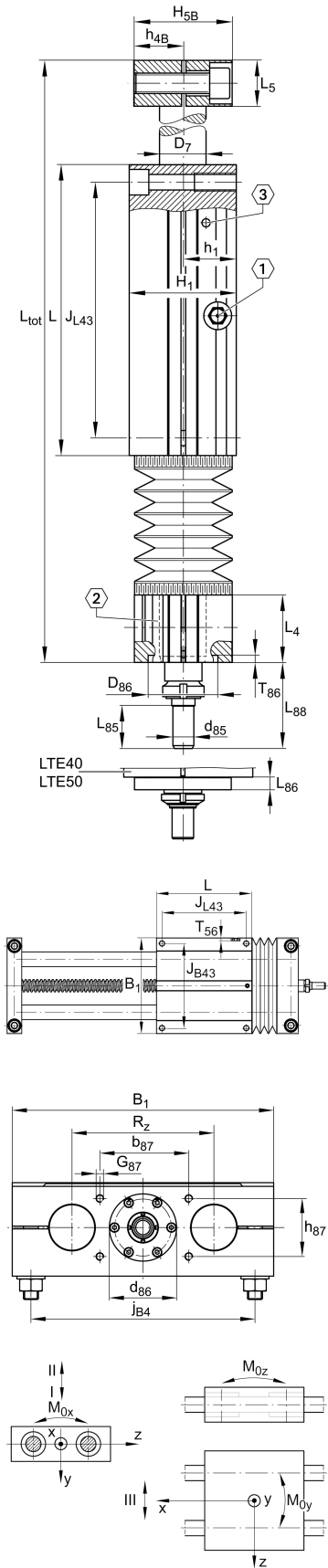
**Información técnica****Variante de su producto actual**

Size code	25	
Length of carriage	160	160 mm
Version	B	
Drive type	TGT	Trapezoidal screw drive
Spindle pitch	04	4 mm
Spindle diameter	16	16mm
Spindle nut design	M	Cylinder nut
Bellow	0	No

**Medidas principales y datos de rendimiento**

B <sub>1</sub>	160 mm	Total Width
L	160 mm	Length of Carriage





**Medidas de montaje**

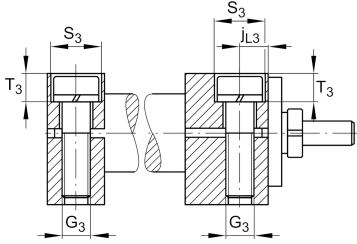
B 4B	160 mm	Width of Shaft Support Blocks
b 87	64 mm	Tolerance $\pm 0,2$
D 86	30 mm	Tolerance H7
d 85	9 mm	Tolerance h7
d 86	0 mm	Tolerance g7
G 3	M12	Thread
G 43	M10	Thread
G 87	M6x15	Thread
h 85	30 mm	
h 87	38 mm	Tolerance $\pm 0,2$
J B43	140 mm	
J L43	140 mm	
j B4	132 mm	
j L3	12,5 mm	
K 43	M8	Thread
L 85	18 mm	
L 88	34,5 mm	
S 3	20 mm	
T 3	15,5 mm	
t 43	22 mm	Depth of Thread
T 86	3,3 mm	



### Medidas



H 1	56 mm	Height of Carriage
H 4B	52 mm	Height of Shaft Support Blocks
H 5B	52 mm	Height of Shaft Support Blocks
h 1	28 mm	
h 4B	26 mm	
h 5B	26 mm	
L 4	33 mm	Length of Shaft Support Block with Drive System
L 5	25 mm	Length of Shaft Support Block without drive System
D 7	25 mm	Ø Shaft, Tolerance h7



### Datos técnicos

R X	88,6 mm	
R Z	88 mm	
S	4 mm	Safety Distance
m LAW	3,49 kg	Mass of Carriage
v max	0,1 m/s	Maximum Speed
a max	2,5 m/s <sup>2</sup>	Maximum Acceleration
C I	7.390 N	Load direction I: compressive load
C 0I	8.880 N	Load direction I: compressive load
C II	7.390 N	Load direction II: tensile load
C 0II	8.880 N	Load direction II: tensile load
C III	7.390 N	Load direction III: lateral load
C 0III	8.880 N	Load direction III: lateral load
M 0x per	390 Nm	Max. permissible static moment per Carriage
M 0y per	340 Nm	Max. permissible static moment per Carriage
M 0z per	280 Nm	Max. permissible static moment per Carriage
d 0	16 mm	Spindle Diameter
P	4 mm	Spindle Pitch
C 0	2.250 N	Load capacity Spindle Nut stat
C 0a	2.250 N	Load capacity fixed Spindle bearing stat

### Información adicional

	3 Nm	Max. permissible drive torque
	KB25-P	Linear Ball Bearings
	2 x 7200-2RS	Rolling Bearings (locating bearing)
	0,25 mm	Repeat accuracy ±
	0,3 kg*cm <sup>2</sup>	Mass moment of inertia of threaded Spindle



### Rango de temperatura

---

0 °C

Minimum operating Temperatur

80 °C

Maximum operating Temperatur