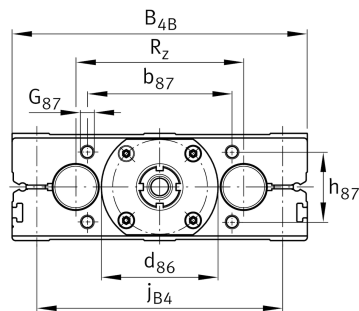


**LTE25-160-B-1610-MM-0** **Mesa lineal**

Linear tables with closed shaft guidance system and ball screw drive, with shaft support block type B, without bellows, with double nut

Información técnica**Variante de su producto actual**

Size code	25	
Length of carriage	160	160 mm
Version	B	
Drive type	KGT	Ball screw drive
Spindle pitch	10	10 mm
Spindle diameter	16	16mm
Spindle nut design	MM	Double cylinder nut
Bellow	0	No

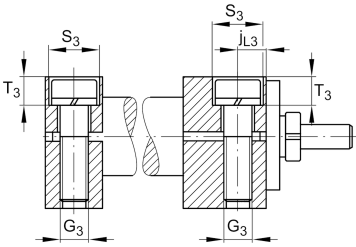
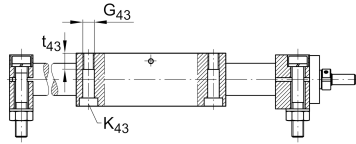
Medidas principales y datos de rendimiento

B 1	160 mm	Total Width
L	160 mm	Length of Carriage



Medidas de montaje

B 4B	160 mm	Width of Shaft Support Blocks
b 87	64 mm	Tolerance $\pm 0,2$
d 85	9 mm	Tolerance h7
d 86	52 mm	Tolerance g7
G 3	M12	Thread
G 43	M10	Thread
G 87	M6x15	Thread
h 85	30 mm	
h 87	38 mm	Tolerance $\pm 0,2$
J B43	140 mm	
J L43	140 mm	
j B4	132 mm	
j L3	12,5 mm	
K 43	M8	Thread
L 85	18 mm	
L 86	7 mm	
L 88	34,5 mm	
S 3	20 mm	
T 3	15,5 mm	
t 43	22 mm	Depth of Thread



Medidas

H 1	56 mm	Height of Carriage
H 4B	52 mm	Height of Shaft Support Blocks
H 5B	52 mm	Height of Shaft Support Blocks
h 1	28 mm	
h 4B	26 mm	
h 5B	26 mm	
L 4	33 mm	Length of Shaft Support Block with Drive System
L 5	25 mm	Length of Shaft Support Block without drive System
D 7	25 mm	Ø Shaft, Tolerance h7



Datos técnicos

R _x	88,6 mm	
R _z	88 mm	
S	10 mm	Safety Distance
m _{LAW}	3,49 kg	Mass of Carriage
v _{max}	0,75 m/s	Maximum Speed
a _{max}	10 m/s ²	Maximum Acceleration
C _I	7.390 N	Load direction I: compressive load
C _{0I}	8.880 N	Load direction I: compressive load
C _{II}	7.390 N	Load direction II: tensile load
C _{0II}	8.880 N	Load direction II: tensile load
C _{III}	7.390 N	Load direction III: lateral load
C _{0III}	8.880 N	Load direction III: lateral load
M _{0x per}	390 Nm	Max. permissible static moment per Carriage
M _{0y per}	340 Nm	Max. permissible static moment per Carriage
M _{0z per}	280 Nm	Max. permissible static moment per Carriage
d ₀	16 mm	Spindle Diameter
P	10 mm	Spindle Pitch
C	15.400 N	Load capacity Spindle Nut dyn
C ₀	26.500 N	Load capacity Spindle Nut stat
C _a	13.400 N	Load capacity fixed Spindle bearing dyn
C _{0a}	18.800 N	Load capacity fixed Spindle bearing stat

Información adicional

6 Nm	Max. permissible drive torque
KB25-P	Linear Ball Bearings
ZKLN1034-2RS-PE	Rolling Bearings (locating bearing)
0,025 mm	Repeat accuracy ±
0,321 kg*cm ²	Mass moment of inertia of threaded Spindle



Rango de temperatura

0 °C

Minimum operating Temperatur

80 °C

Maximum operating Temperatur