

**LTE25-160-B-1610-M-0**

Mesa lineal

Linear tables with closed shaft guidance system and ball screw drive, with shaft support block type B, without bellows, with single nut

Información técnica



Variante de su producto actual

Size code	25	
Length of carriage	160	160 mm
Version	B	
Drive type	KGT	Ball screw drive
Spindle pitch	10	10 mm
Spindle diameter	16	16mm
Spindle nut design	M	Cylinder nut
Bellow	0	No

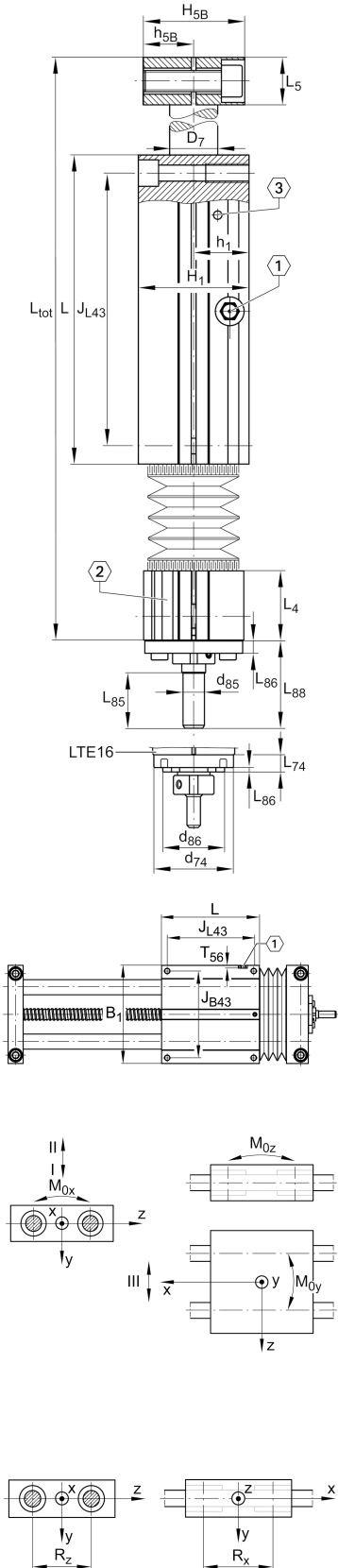
Medidas principales y datos de rendimiento

B 1	160 mm	Total Width
L	160 mm	Length of Carriage



Medidas de montaje

B 4B	160 mm	Width of Shaft Support Blocks
b 87	64 mm	Tolerance $\pm 0,2$
d 85	9 mm	Tolerance h7
d 86	52 mm	Tolerance g7
G 3	M12	Thread
G 43	M10	Thread
G 87	M6x15	Thread
h 85	30 mm	
h 87	38 mm	Tolerance $\pm 0,2$
J B43	140 mm	
J L43	140 mm	
j B4	132 mm	
j L3	12,5 mm	
K 43	M8	Thread
L 85	18 mm	
L 86	7 mm	
L 88	34,5 mm	
S 3	20 mm	
T 3	15,5 mm	
t 43	22 mm	Depth of Thread





Medidas

H 1	56 mm	Height of Carriage
H 4B	52 mm	Height of Shaft Support Blocks
H 5B	52 mm	Height of Shaft Support Blocks
h 1	28 mm	
h 4B	26 mm	
h 5B	26 mm	
L 4	33 mm	Length of Shaft Support Block with Drive System
L 5	25 mm	Length of Shaft Support Block without drive System
D 7	25 mm	Ø Shaft, Tolerance h7



Datos técnicos

R _x	88,6 mm	
R _z	88 mm	
S	10 mm	Safety Distance
m _{LAW}	3,49 kg	Mass of Carriage
v _{max}	0,75 m/s	Maximum Speed
a _{max}	20 m/s ²	Maximum Acceleration
C _I	7.390 N	Load direction I: compressive load
C _{0I}	8.880 N	Load direction I: compressive load
C _{II}	7.390 N	Load direction II: tensile load
C _{0II}	8.880 N	Load direction II: tensile load
C _{III}	7.390 N	Load direction III: lateral load
C _{0III}	8.880 N	Load direction III: lateral load
M _{0x per}	390 Nm	Max. permissible static moment per Carriage
M _{0y per}	340 Nm	Max. permissible static moment per Carriage
M _{0z per}	280 Nm	Max. permissible static moment per Carriage
d ₀	16 mm	Spindle Diameter
P	10 mm	Spindle Pitch
C	15.400 N	Load capacity Spindle Nut dyn
C ₀	26.500 N	Load capacity Spindle Nut stat
C _a	13.400 N	Load capacity fixed Spindle bearing dyn
C _{0a}	18.800 N	Load capacity fixed Spindle bearing stat

Información adicional

6 Nm	Max. permissible drive torque
KB25-P	Linear Ball Bearings
ZKLN1034-2RS-PE	Rolling Bearings (locating bearing)
0,05 mm	Repeat accuracy ±
0,321 kg*cm ²	Mass moment of inertia of threaded Spindle



Rango de temperatura

0 °C

Minimum operating Temperatur

80 °C

Maximum operating Temperatur