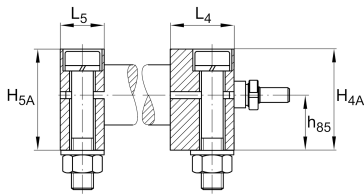
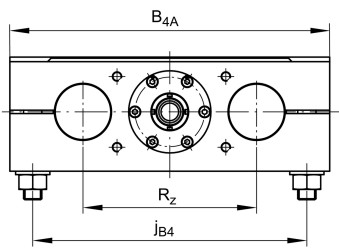
**LTE25-160-A-TR16x4-M-0**

## Mesa lineal

Linear tables with closed shaft guidance system and trapezoidal lead screw drive, with shaft support block type A, without bellows, with single nut

## Información técnica

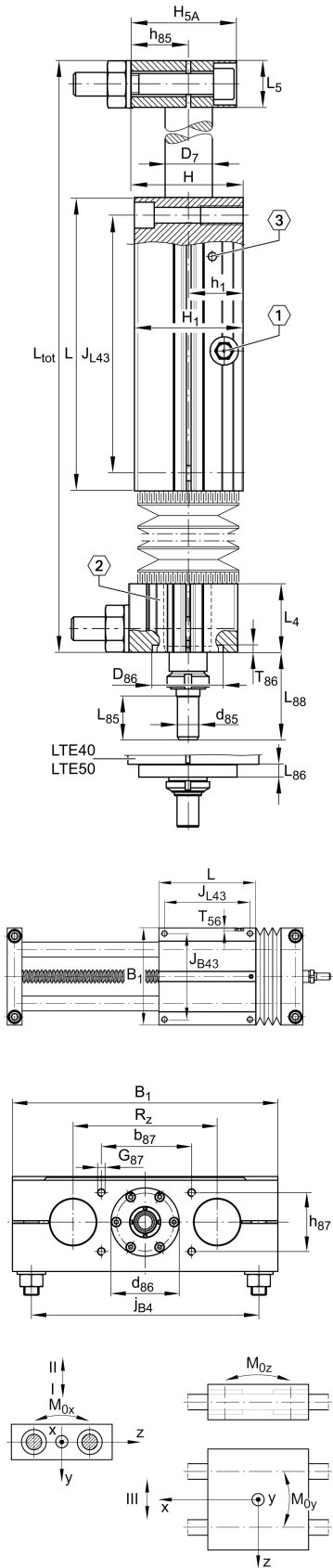


## Variante de su producto actual

Size code	25	
Length of carriage	160	160 mm
Version	A	
Drive type	TGT	Trapezoidal screw drive
Spindle pitch	04	4 mm
Spindle diameter	16	16mm
Spindle nut design	M	Cylinder nut
Bellow	0	No

## Medidas principales y datos de rendimiento

B <sub>1</sub>	160 mm	Total Width
H	58 mm	Total Height
L	160 mm	Length of Carriage



### Medidas de montaje

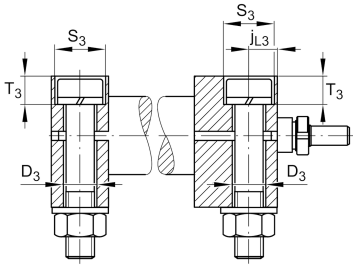
B 4A	160 mm	Width of Shaft Support Blocks
b 87	64 mm	Tolerance $\pm 0,2$
D 3	13,5 mm	
D 86	30 mm	Tolerance H7
d 85	9 mm	Tolerance h7
d 86	0 mm	Tolerance g7
G 43	M10	Thread
G 87	M6x15	Thread
h 85	30 mm	
h 87	38 mm	Tolerance $\pm 0,2$
J B43	140 mm	
J L43	140 mm	
j B4	132 mm	
j L3	12,5 mm	
K 43	M8	Thread
L 85	18 mm	
L 88	34,5 mm	
S 3	20 mm	
T 3	15,5 mm	
t 43	22 mm	Depth of Thread
T 86	3,3 mm	



### Medidas



H 1	56 mm	Height of Carriage
H 4A	56 mm	Height of Shaft Support Blocks
H 5A	56 mm	Height of Shaft Support Blocks
h 1	28 mm	
L 4	33 mm	Length of Shaft Support Block with Drive System
L 5	25 mm	Length of Shaft Support Block without drive System
D 7	25 mm	Ø Shaft, Tolerance h7



### Datos técnicos

R <sub>X</sub>	88,6 mm	
R <sub>Z</sub>	88 mm	
S	4 mm	Safety Distance
m <sub>LAW</sub>	3,49 kg	Mass of Carriage
v <sub>max</sub>	0,1 m/s	Maximum Speed
a <sub>max</sub>	2,5 m/s <sup>2</sup>	Maximum Acceleration
C <sub>I</sub>	7.390 N	Load direction I: compressive load
C <sub>0I</sub>	8.880 N	Load direction I: compressive load
C <sub>II</sub>	7.390 N	Load direction II: tensile load
C <sub>0II</sub>	8.880 N	Load direction II: tensile load
C <sub>III</sub>	7.390 N	Load direction III: lateral load
C <sub>0III</sub>	8.880 N	Load direction III: lateral load
M <sub>0x per</sub>	390 Nm	Max. permissible static moment per Carriage
M <sub>0y per</sub>	340 Nm	Max. permissible static moment per Carriage
M <sub>0z per</sub>	280 Nm	Max. permissible static moment per Carriage
d <sub>0</sub>	16 mm	Spindle Diameter
P	4 mm	Spindle Pitch
C <sub>0</sub>	2.250 N	Load capacity Spindle Nut stat
C <sub>0a</sub>	2.250 N	Load capacity fixed Spindle bearing stat

### Información adicional

	3 Nm	Max. permissible drive torque
	KB25-P	Linear Ball Bearings
	2 x 7200-2RS	Rolling Bearings (locating bearing)
	0,25 mm	Repeat accuracy ±
	0,3 kg*cm <sup>2</sup>	Mass moment of inertia of threaded Spindle



### Rango de temperatura

---

0 °C

Minimum operating Temperatur

80 °C

Maximum operating Temperatur