

LTE20-130-B-TGT16x4-M-1 [↗](#)

Mesa lineal

Linear tables with closed shaft guidance system and trapezoidal lead screw drive, with shaft support block type B, with bellows, with single nut

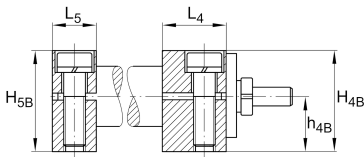
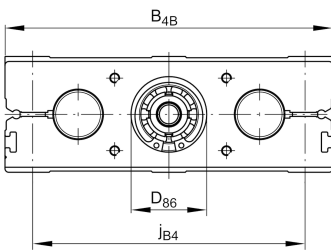
Información técnica

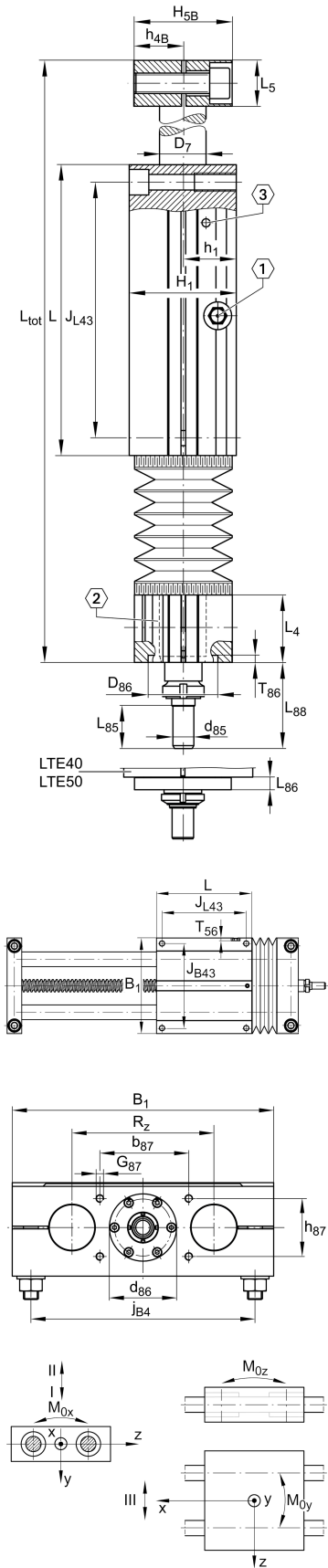
Variante de su producto actual

Size code	20	
Length of carriage	130	130 mm
Version	B	
Drive type	TGT	Trapezoidal screw drive
Spindle pitch	04	4 mm
Spindle diameter	16	16mm
Spindle nut design	M	Cylinder nut
Bellow	1	Yes

Medidas principales y datos de rendimiento

B ₁	130 mm	Total Width
L	130 mm	Length of Carriage





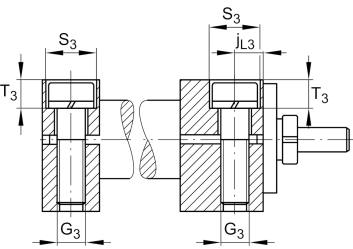
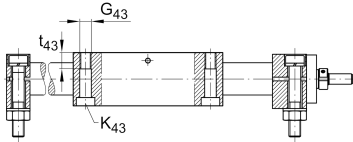
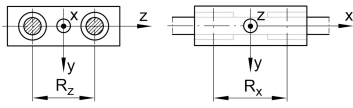
Medidas de montaje

B 4B	130 mm	Width of Shaft Support Blocks
b 87	62 mm	Tolerance $\pm 0,2$
D 86	30 mm	Tolerance H7
d 85	9 mm	Tolerance h7
d 86	0 mm	Tolerance g7
G 3	M10	Thread
G 43	M8	Thread
G 87	M6x15	Thread
h 85	25 mm	
h 87	30 mm	Tolerance $\pm 0,2$
J B43	115 mm	
J L43	115 mm	
j B4	108 mm	
j L3	10 mm	
K 43	M6	Thread
L 85	18 mm	
L 88	37 mm	
S 3	18 mm	
T 3	10 mm	
t 43	18 mm	Depth of Thread
T 86	2,8 mm	



Medidas

B B	20 mm	Length of Bellows Fastener
F _{BL}	1,33	Effective length factor of bellow
H ₁	46 mm	Height of Carriage
H _{4B}	42 mm	Height of Shaft Support Blocks
H _{5B}	42 mm	Height of Shaft Support Blocks
h ₁	23 mm	
h _{4B}	21 mm	
h _{5B}	21 mm	
L ₄	29 mm	Length of Shaft Support Block with Drive System
L ₅	20 mm	Length of Shaft Support Block without drive System
T ₅₆	3,75 mm	
D ₇	20 mm	Ø Shaft, Tolerance h7





Datos técnicos

R _x	74,6 mm	
R _z	72 mm	
S	4 mm	Safety Distance
m _{LAW}	1,82 kg	Mass of Carriage
v _{max}	0,1 m/s	Maximum Speed
a _{max}	2,5 m/s ²	Maximum Acceleration
C _I	4.140 N	Load direction I: compressive load
C _{0I}	4.920 N	Load direction I: compressive load
C _{II}	4.140 N	Load direction II: tensile load
C _{0II}	4.920 N	Load direction II: tensile load
C _{III}	4.140 N	Load direction III: lateral load
C _{0III}	4.920 N	Load direction III: lateral load
M _{0x per}	178 Nm	Max. permissible static moment per Carriage
M _{0y per}	155 Nm	Max. permissible static moment per Carriage
M _{0z per}	138 Nm	Max. permissible static moment per Carriage
d ₀	16 mm	Spindle Diameter
P	4 mm	Spindle Pitch
C ₀	2.250 N	Load capacity Spindle Nut stat
C _{0a}	2.250 N	Load capacity fixed Spindle bearing stat

Información adicional

	3 Nm	Max. permissible drive torque
	KB20-P	Linear Ball Bearings
	2 x 7200-2RS	Rolling Bearings (locating bearing)
	0,25 mm	Repeat accuracy ±
	0,3 kg*cm ²	Mass moment of inertia of threaded Spindle



Rango de temperatura

0 °C

Minimum operating Temperatur

80 °C

Maximum operating Temperatur