**LTE20-130-A-KGT1605-MM-1** **Mesa lineal**

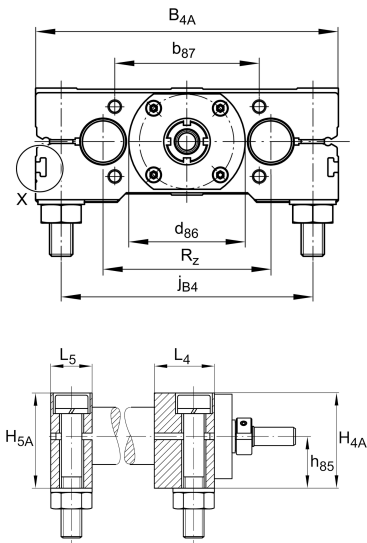
Linear tables with closed shaft guidance system and ball screw drive, with shaft support block type A, with bellows, with double nut

**Información técnica****Variante de su producto actual**

Size code	20	
Length of carriage	130	130 mm
Version	A	
Drive type	KGT	Ball screw drive
Spindle pitch	05	5 mm
Spindle diameter	16	16mm
Spindle nut design	MM	Double cylinder nut
Bellow	1	Yes

**Medidas principales y datos de rendimiento**

B <sub>1</sub>	130 mm	Total Width
H	48 mm	Total Height
L	130 mm	Length of Carriage



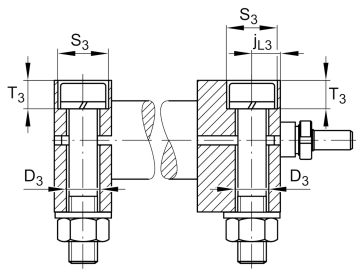
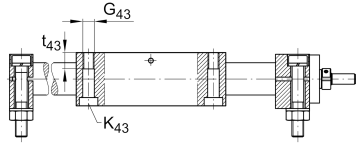


**Medidas de montaje**

B 4A	130 mm	Width of Shaft Support Blocks
b 87	62 mm	Tolerance $\pm 0,2$
D 3	11 mm	
d 85	9 mm	Tolerance h7
d 86	50 mm	Tolerance g7
G 43	M8	Thread
G 87	M6x15	Thread
h 85	25 mm	
h 87	30 mm	Tolerance $\pm 0,2$
J B43	115 mm	
J L43	115 mm	
j B4	108 mm	
j L3	10 mm	
K 43	M6	Thread
L 85	23 mm	
L 86	8 mm	
L 88	37 mm	
S 3	18 mm	
T 3	10 mm	
t 43	18 mm	Depth of Thread



## Medidas



B B	20 mm	Length of Bellows Fastener
F <sub>BL</sub>	1,33	Effective length factor of bellow
H <sub>1</sub>	46 mm	Height of Carriage
H <sub>4A</sub>	46 mm	Height of Shaft Support Blocks
H <sub>5A</sub>	46 mm	Height of Shaft Support Blocks
h <sub>1</sub>	23 mm	
L <sub>4</sub>	29 mm	Length of Shaft Support Block with Drive System
L <sub>5</sub>	20 mm	Length of Shaft Support Block without drive System
T <sub>56</sub>	3,75 mm	
D <sub>7</sub>	20 mm	Ø Shaft, Tolerance h7



### Datos técnicos

R <sub>x</sub>	74,6 mm	
R <sub>z</sub>	72 mm	
S	5 mm	Safety Distance
m <sub>LAW</sub>	1,82 kg	Mass of Carriage
v <sub>max</sub>	0,25 m/s	Maximum Speed
a <sub>max</sub>	10 m/s <sup>2</sup>	Maximum Acceleration
C <sub>I</sub>	4.140 N	Load direction I: compressive load
C <sub>0I</sub>	4.920 N	Load direction I: compressive load
C <sub>II</sub>	4.140 N	Load direction II: tensile load
C <sub>0II</sub>	4.920 N	Load direction II: tensile load
C <sub>III</sub>	4.140 N	Load direction III: lateral load
C <sub>0III</sub>	4.920 N	Load direction III: lateral load
M <sub>0x per</sub>	178 Nm	Max. permissible static moment per Carriage
M <sub>0y per</sub>	155 Nm	Max. permissible static moment per Carriage
M <sub>0z per</sub>	138 Nm	Max. permissible static moment per Carriage
d <sub>0</sub>	16 mm	Spindle Diameter
P	5 mm	Spindle Pitch
C	9.300 N	Load capacity Spindle Nut dyn
C <sub>0</sub>	13.100 N	Load capacity Spindle Nut stat
C <sub>a</sub>	13.400 N	Load capacity fixed Spindle bearing dyn
C <sub>0a</sub>	18.800 N	Load capacity fixed Spindle bearing stat

### Información adicional

6 Nm	Max. permissible drive torque
KB20-P	Linear Ball Bearings
ZKLN1034-2RS-PE	Rolling Bearings (locating bearing)
0,025 mm	Repeat accuracy ±
0,313 kg*cm <sup>2</sup>	Mass moment of inertia of threaded Spindle



### Rango de temperatura

---

0 °C

Minimum operating Temperatur

80 °C

Maximum operating Temperatur