**LTE16-100-B-TR12x3-M-0**

## Mesa lineal

Linear tables with closed shaft guidance system and trapezoidal lead screw drive, with shaft support block type B, without bellows, with single nut

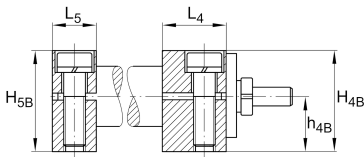
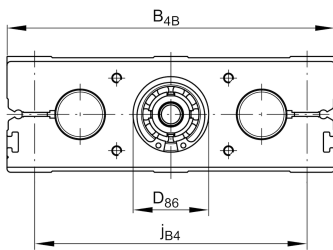
## Información técnica

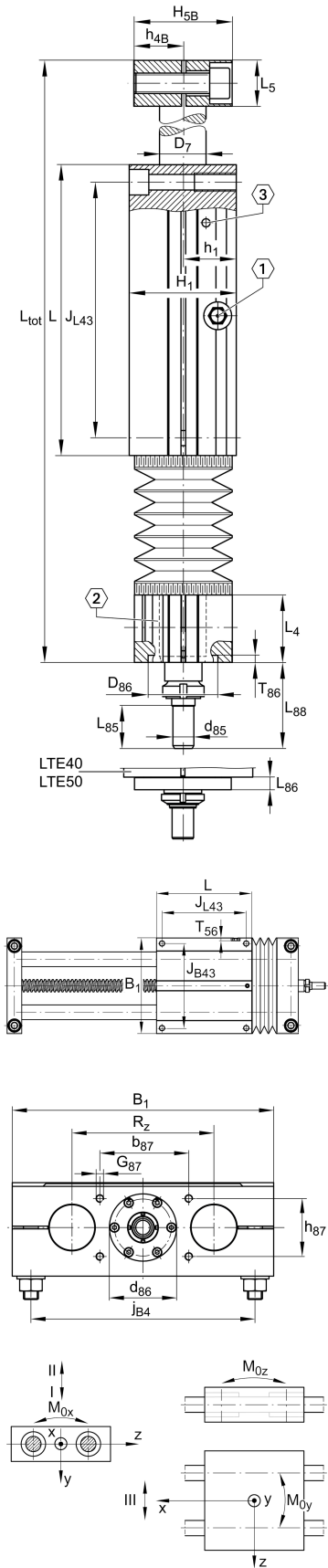
## Variante de su producto actual

Size code	16	indicación de tamaño
Length of carriage	100	100 mm
Version	B	
Drive type	TGT	Trapezoidal screw drive
Spindle pitch	03	3 mm
Spindle diameter	12	12mm
Spindle nut design	M	Cylinder nut
Bellow	0	No

## Medidas principales y datos de rendimiento

B <sub>1</sub>	100 mm	Total Width
L	100 mm	Length of Carriage





**Medidas de montaje**

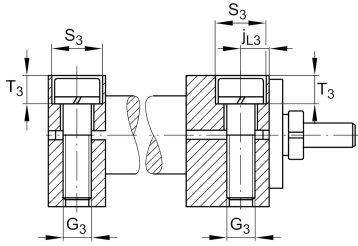
B 4B	100 mm	Width of Shaft Support Blocks
b 87	44 mm	Tolerance $\pm 0,2$
D 86	17 mm	Tolerance H7
d 85	5 mm	Tolerance h7
d 86	0 mm	Tolerance g7
G 3	M8	Thread
G 43	M6	Thread
G 87	M5x12	Thread
h 85	20 mm	
h 87	22 mm	Tolerance $\pm 0,2$
J B43	88 mm	
J L43	88 mm	
j B4	82 mm	
j L3	9 mm	
K 43	M5	Thread
L 85	12 mm	
L 88	28,5 mm	
S 3	15 mm	
T 3	8 mm	
t 43	13 mm	Depth of Thread
T 86	3 mm	



### Medidas



H 1	36 mm	Height of Carriage
H 4B	32 mm	Height of Shaft Support Blocks
H 5B	32 mm	Height of Shaft Support Blocks
h 1	18 mm	
h 4B	16 mm	
h 5B	16 mm	
L 4	24 mm	Length of Shaft Support Block with Drive System
L 5	18 mm	Length of Shaft Support Block without drive System
D 7	16 mm	Ø Shaft, Tolerance h7



### Datos técnicos

R X	55,6 mm	
R Z	54 mm	
S	3 mm	Safety Distance
m LAW	0,86 kg	Mass of Carriage
v max	0,075 m/s	Maximum Speed
a max	2,5 m/s <sup>2</sup>	Maximum Acceleration
C I	1.870 N	Load direction I: compressive load
C 0I	2.120 N	Load direction I: compressive load
C II	1.870 N	Load direction II: tensile load
C 0II	2.120 N	Load direction II: tensile load
C III	1.870 N	Load direction III: lateral load
C 0III	2.120 N	Load direction III: lateral load
M 0x per	57 Nm	Max. permissible static moment per Carriage
M 0y per	48 Nm	Max. permissible static moment per Carriage
M 0z per	45 Nm	Max. permissible static moment per Carriage
d 0	12 mm	Spindle Diameter
P	3 mm	Spindle Pitch
C 0	630 N	Load capacity Spindle Nut stat
C 0a	630 N	Load capacity fixed Spindle bearing stat

### Información adicional

	1,5 Nm	Max. permissible drive torque
	KB16-P	Linear Ball Bearings
	30/6-2RSR	Rolling Bearings (locating bearing)
	0,25 mm	Repeat accuracy ±
	0,09 kg*cm <sup>2</sup>	Mass moment of inertia of threaded Spindle



### Rango de temperatura

---

0 °C

Minimum operating Temperatur

80 °C

Maximum operating Temperatur