

**LTE16-100-A-1204-M-0** **Mesa lineal**

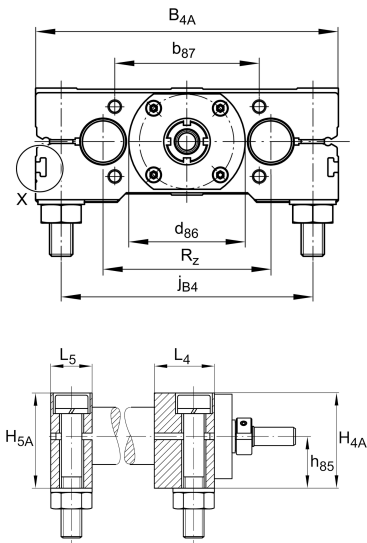
Linear tables with closed shaft guidance system and ball screw drive, with shaft support block type A, without bellows, with single nut

Información técnica**Variante de su producto actual**

Size code	16	indicación de tamaño
Length of carriage	100	100 mm
Version	A	
Drive type	KGT	Ball screw drive
Spindle pitch	04	4 mm
Spindle diameter	12	12mm
Spindle nut design	M	Cylinder nut
Bellow	0	No

Medidas principales y datos de rendimiento

B ₁	100 mm	Total Width
H	38 mm	Total Height
L	100 mm	Length of Carriage



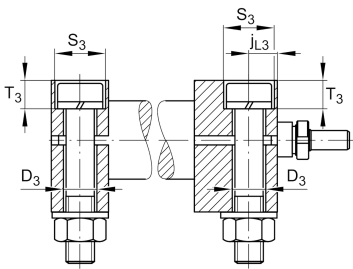


Medidas de montaje

B 4A	100 mm	Width of Shaft Support Blocks
b 87	44 mm	Tolerance $\pm 0,2$
D 3	9 mm	
d 74	38 mm	
d 85	5 mm	Tolerance h7
d 86	24 mm	Tolerance g7
G 43	M6	Thread
G 87	M5x12	Thread
h 85	20 mm	
h 87	22 mm	Tolerance $\pm 0,2$
J B43	88 mm	
J L43	88 mm	
j B4	82 mm	
j L3	9 mm	
K 43	M5	Thread
L 85	12 mm	
L 86	1,5 mm	
L 88	28,5 mm	
S 3	15 mm	
T 3	8 mm	
t 43	13 mm	Depth of Thread



Medidas



H 1	36 mm	Height of Carriage
H 4A	36 mm	Height of Shaft Support Blocks
H 5A	36 mm	Height of Shaft Support Blocks
h 1	18 mm	
L 4	24 mm	Length of Shaft Support Block with Drive System
L 5	18 mm	Length of Shaft Support Block without drive System
L 74	6,5 mm	
D 7	16 mm	Ø Shaft, Tolerance h7



Datos técnicos

R _x	55,6 mm	
R _z	54 mm	
S	4 mm	Safety Distance
m _{LAW}	0,86 kg	Mass of Carriage
v _{max}	0,3 m/s	Maximum Speed
a _{max}	20 m/s ²	Maximum Acceleration
C _I	1.870 N	Load direction I: compressive load
C _{0I}	2.120 N	Load direction I: compressive load
C _{II}	1.870 N	Load direction II: tensile load
C _{0II}	2.120 N	Load direction II: tensile load
C _{III}	1.870 N	Load direction III: lateral load
C _{0III}	2.120 N	Load direction III: lateral load
M _{0x per}	57 Nm	Max. permissible static moment per Carriage
M _{0y per}	48 Nm	Max. permissible static moment per Carriage
M _{0z per}	45 Nm	Max. permissible static moment per Carriage
d ₀	12 mm	Spindle Diameter
P	4 mm	Spindle Pitch
C	4.900 N	Load capacity Spindle Nut dyn
C ₀	6.600 N	Load capacity Spindle Nut stat
C _a	6.900 N	Load capacity fixed Spindle bearing dyn
C _{0a}	8.500 N	Load capacity fixed Spindle bearing stat

Información adicional

1,5 Nm	Max. permissible drive torque
KB16-P	Linear Ball Bearings
ZKLN0624-2RS-PE	Rolling Bearings (locating bearing)
0,05 mm	Repeat accuracy ±
0,11 kg*cm ²	Mass moment of inertia of threaded Spindle



Rango de temperatura

0 °C

Minimum operating Temperatur

80 °C

Maximum operating Temperatur