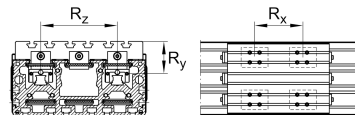
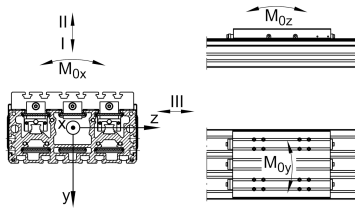
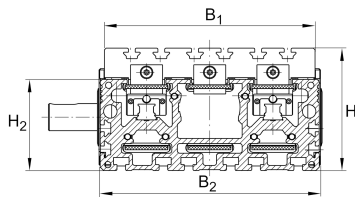
**MDKUSE25-365-3ZR-W2-N-FA517.2** [↗](#)

Módulo lineal

Tandem actuators with six-row linear recirculating bearing and guideway assembly, monorail guidance system and toothed belt drive. With triple toothed belt, support rail in three segments, with second, driven carriage and fixing slots in carriage

Información técnica



Variante de su producto actual

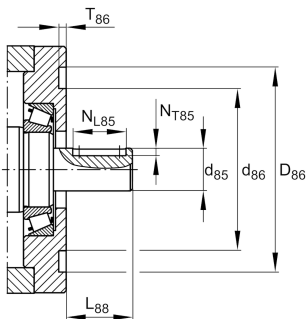
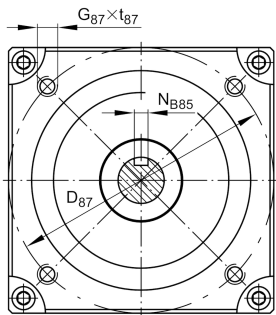
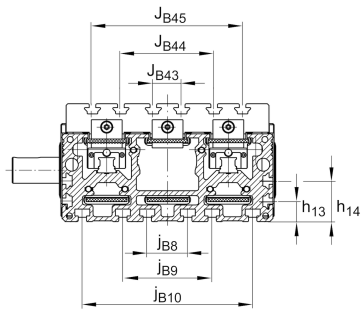
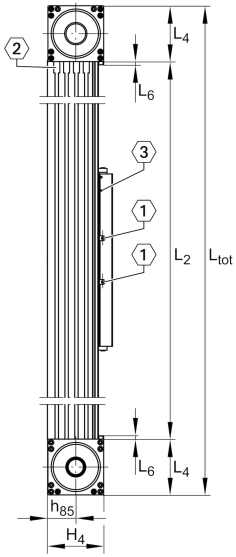
Size code	25	
Length of carriage	365	365 mm
Ejecución	/	Basis
Drive type	(3)ZR	Toothed belt drive
Additional carriage	W2	Second, driven carriage
Attachment to the carriage	N	T-Slots

n.r.

FA517.2	Support Rail Design
---------	---------------------

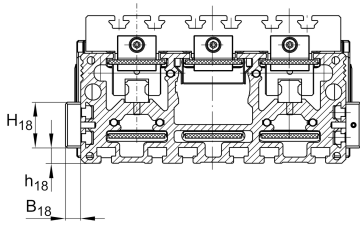
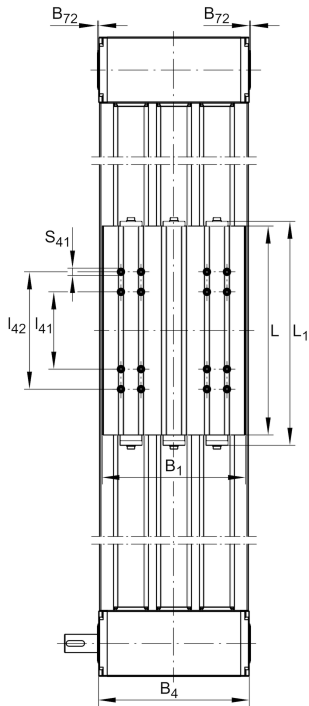
Medidas principales y datos de rendimiento

B 2	260 mm	Total Width
H	145 mm	Total Height
L	365 mm	Length of Carriage



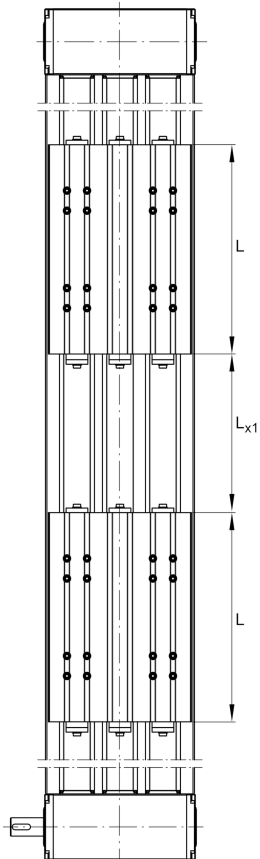
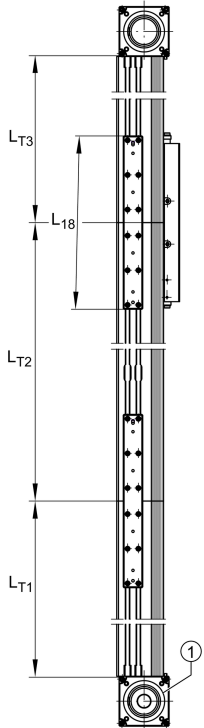
Medidas de montaje

B 1	250 mm	Width of Carriage
D 86	95 mm	
Tol D 86	G7	Tolerance
D 87	115 mm	
d 85	32 mm	Tolerance h7
d 86	76 mm	
G 87	M8	
h 13	25 mm	
h 14	50 mm	
h 18	15 mm	
J B43	35 mm	
j B8	50 mm	
L 2 max	18.000 mm	Maximum length of Support Rail
L 88	60 mm	
N B85	10 mm	Tolerance P9
N L85	32 mm	Length of Keyway
N T85	5 mm	Depth of Keyway
S 41	13 mm	
t 87 max	15 mm	Depth of Thread
j B9	110 mm	
j B10	210 mm	
J B44	115 mm	
J B45	185 mm	



Medidas

B 18	15 mm	
B 72	2 mm	
H 2	108 mm	Height of Support Rail
H 4	120,5 mm	Height of Return Unit
H 18	45 mm	
h 85	63 mm	
L 1	405 mm	
L 4	115,5 mm	Length of Return Unit
L 6	6 mm	Length of Wiper Brushes
L 18	400 mm	
l 41	135 mm	
l 42	205 mm	
L x1 min	100 mm	
B 4	263 mm	Width of Return Unit
T 86	4 mm	Depth Fit



Datos técnicos

R_x	170 mm	
R_y	69,3 mm	
R_z	150 mm	
S	85 mm	Safety Distance
m_{LAW}	12,65 kg	
m_3	12,65 kg	Mass of additional Carriage
v_{max}	5 m/s	Maximum Speed
a_{max}	30 m/s ²	Maximum Acceleration
I C	100.200 N	Load direction I: compressive load
I C ₀	324.000 N	Load direction I: compressive load
II C	68.600 N	Load direction II: tensile load
II C ₀	180.000 N	Load direction II: tensile load
III C	73.800 N	Load direction III: lateral load
III C ₀	188.000 N	Load direction III: lateral load
$M_{0x\ per}$	13.500 Nm	Max. permissible static moment per Carriage
$M_{0y\ per}$	8.700 Nm	Max. permissible static moment per Carriage
$M_{0z\ per}$	8.500 Nm	Max. permissible static moment per Carriage
I_y	7.069 cm ⁴	Geometrical moments of inertia of Support Rail
I_z	899 cm ⁴	Geometrical moments of inertia of Support Rail



Información adicional

207 Nm	Max. permissible drive torque
4xKWSE25-H	Carriage
0,1 mm	Repeat Accuracy ±
230 mm	Feed (mm/rotation)
50AT10	Toothed Belt
0,945 kg/m	Mass of Toothed Belt
5.640 N	Permissible Toothed Belt operating force
35,2 kg*cm ²	Mass moment of inertia of Gears

Rango de temperatura

max	80 °C	Maximum operating Temperatur
min	0 °C	Minimum operating Temperatur