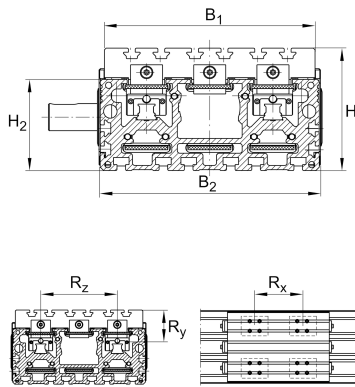
**MDKUSE25-365-3ZR-N-FA517.1** [↗](#)

## Módulo lineal

Tandem actuators with six-row linear recirculating bearing and guideway assembly, monorail guidance system and toothed belt drive. With triple toothed belt, support rail in two segments and fixing slots in carriage

## Información técnica



## Variante de su producto actual

Size code	25	
Length of carriage	365	365 mm
Ejecución	/	Basis
Drive type	(3)ZR	Toothed belt drive
Additional carriage	/	No additional carriage
Attachment to the carriage	N	T-Slots

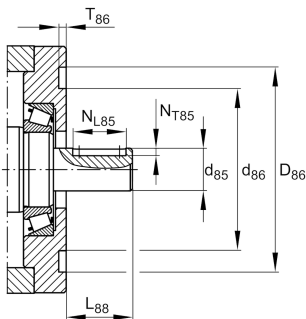
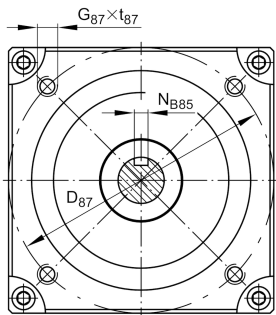
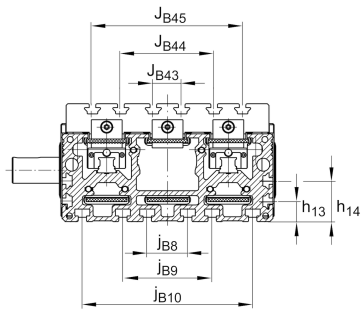
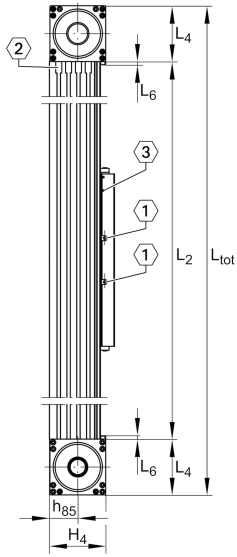
## n.r.

FA517.1

Support Rail Design

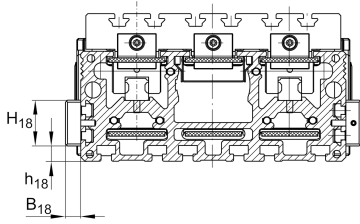
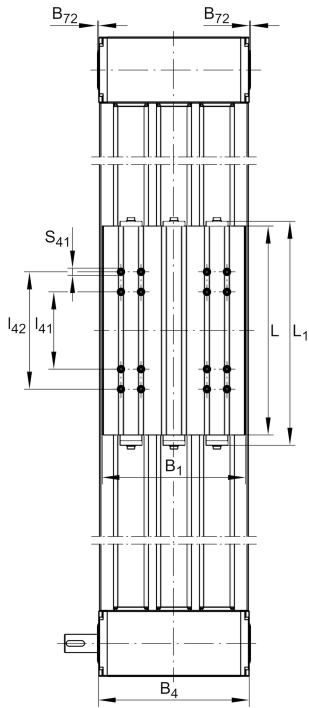
## Medidas principales y datos de rendimiento

B 2	260 mm	Total Width
H	145 mm	Total Height
L	365 mm	Length of Carriage



**Medidas de montaje**

B 1	250 mm	Width of Carriage
D 86	95 mm	
Tol D 86	G7	Tolerance
D 87	115 mm	
d 85	32 mm	Tolerance h7
d 86	76 mm	
G 87	M8	
h 13	25 mm	
h 14	50 mm	
h 18	15 mm	
J B43	35 mm	
j B8	50 mm	
L 2 max	12.000 mm	Maximum length of Support Rail
L 88	60 mm	
N B85	10 mm	Tolerance P9
N L85	32 mm	Length of Keyway
N T85	5 mm	Depth of Keyway
S 41	13 mm	
t 87 max	15 mm	Depth of Thread
j B9	110 mm	
j B10	210 mm	
J B44	115 mm	
J B45	185 mm	



### Medidas

B 18	15 mm	
B 72	2 mm	
H 2	108 mm	Height of Support Rail
H 4	120,5 mm	Height of Return Unit
H 18	45 mm	
h 85	63 mm	
L 1	405 mm	
L 4	115,5 mm	Length of Return Unit
L 6	6 mm	Length of Wiper Brushes
L 18	400 mm	
l 41	135 mm	
l 42	205 mm	
B 4	263 mm	Width of Return Unit
T 86	4 mm	Depth Fit

**Datos técnicos**

$R_x$	170 mm	
$R_y$	69,3 mm	
$R_z$	150 mm	
S	85 mm	Safety Distance
$m_{LAW}$	12,65 kg	
$v_{max}$	5 m/s	Maximum Speed
$a_{max}$	30 m/s <sup>2</sup>	Maximum Acceleration
I C	100.200 N	Load direction I: compressive load
I C <sub>0</sub>	324.000 N	Load direction I: compressive load
II C	68.600 N	Load direction II: tensile load
II C <sub>0</sub>	180.000 N	Load direction II: tensile load
III C	73.800 N	Load direction III: lateral load
III C <sub>0</sub>	188.000 N	Load direction III: lateral load
$M_{0x \text{ per}}$	13.500 Nm	Max. permissible static moment per Carriage
$M_{0y \text{ per}}$	8.700 Nm	Max. permissible static moment per Carriage
$M_{0z \text{ per}}$	8.500 Nm	Max. permissible static moment per Carriage
$I_y$	7.069 cm <sup>4</sup>	Geometrical moments of inertia of Support Rail
$I_z$	899 cm <sup>4</sup>	Geometrical moments of inertia of Support Rail

**Información adicional**

207 Nm	Max. permissible drive torque
4xKWSE25-H	Carriage
0,1 mm	Repeat Accuracy ±
230 mm	Feed (mm/rotation)
50AT10	Toothed Belt
0,945 kg/m	Mass of Toothed Belt
5.640 N	Permissible Toothed Belt operating force
35,2 kg*cm <sup>2</sup>	Mass moment of inertia of Gears



### Rango de temperatura

---

max	80 °C	Maximum operating Temperatur
min	0 °C	Minimum operating Temperatur