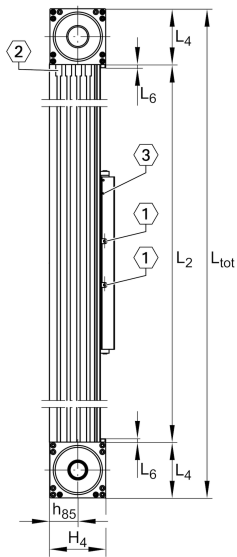
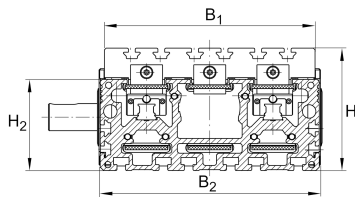


MDKUSE25-365-3ZR-N [↗](#)

Módulo lineal

Tandem actuators with six-row linear recirculating bearing and guideway assembly, monorail guidance system and toothed belt drive. Basic design with triple toothed belt, one driven carriage and fixing slots in carriage

Información técnica



Variante de su producto actual

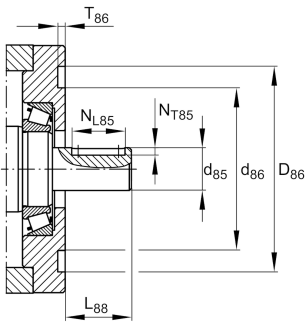
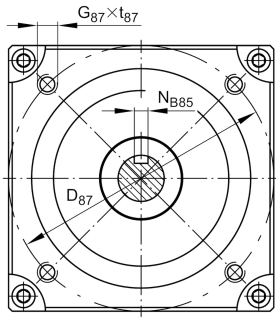
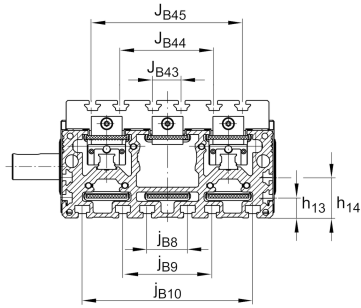
Size code	25	
Length of carriage	365	365 mm
Ejecución	/	Basis
Drive type	(3)ZR	Toothed belt drive
Additional carriage	/	No additional carriage
Attachment to the carriage	N	T-Slots

n.r.

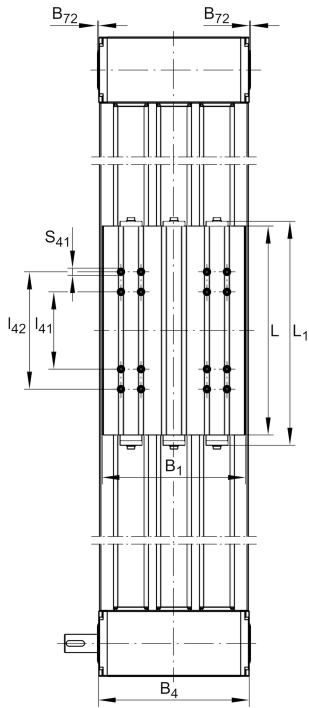
/	Support Rail Design
---	---------------------

Medidas principales y datos de rendimiento

B 2	260 mm	Total Width
H	145 mm	Total Height
L	365 mm	Length of Carriage

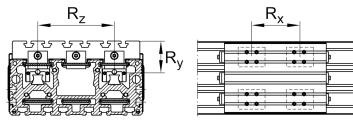
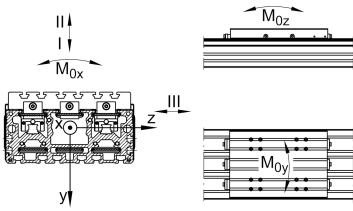
**Medidas de montaje**

B ₁	250 mm	Width of Carriage
D ₈₆	95 mm	
Tol D ₈₆	G7	Tolerance
D ₈₇	115 mm	
d ₈₅	32 mm	Tolerance h7
d ₈₆	76 mm	
G ₈₇	M8	
h ₁₃	25 mm	
h ₁₄	50 mm	
J _{B43}	35 mm	
j _{B8}	50 mm	
L _{2 max}	6.000 mm	Maximum length of Support Rail
L ₈₈	60 mm	
N _{B85}	10 mm	Tolerance P9
N _{L85}	32 mm	Length of Keyway
N _{T85}	5 mm	Depth of Keyway
S ₄₁	13 mm	
t _{87 max}	15 mm	Depth of Thread
j _{B9}	110 mm	
j _{B10}	210 mm	
J _{B44}	115 mm	
J _{B45}	185 mm	



Medidas

B_{72}	2 mm	
H_2	108 mm	Height of Support Rail
H_4	120,5 mm	Height of Return Unit
h_{85}	63 mm	
L_1	405 mm	
L_4	115,5 mm	Length of Return Unit
L_6	6 mm	Length of Wiper Brushes
l_{41}	135 mm	
l_{42}	205 mm	
B_4	263 mm	Width of Return Unit
T_{86}	4 mm	Depth Fit





Datos técnicos

R_x	170 mm	
R_y	69,3 mm	
R_z	150 mm	
S	85 mm	Safety Distance
m_{LAW}	12,65 kg	
v_{max}	5 m/s	Maximum Speed
a_{max}	30 m/s ²	Maximum Acceleration
I C	100.200 N	Load direction I: compressive load
I C ₀	324.000 N	Load direction I: compressive load
II C	68.600 N	Load direction II: tensile load
II C ₀	180.000 N	Load direction II: tensile load
III C	73.800 N	Load direction III: lateral load
III C ₀	188.000 N	Load direction III: lateral load
$M_{0x\ per}$	13.500 Nm	Max. permissible static moment per Carriage
$M_{0y\ per}$	8.700 Nm	Max. permissible static moment per Carriage
$M_{0z\ per}$	8.500 Nm	Max. permissible static moment per Carriage
I_y	7.069 cm ⁴	Geometrical moments of inertia of Support Rail
I_z	899 cm ⁴	Geometrical moments of inertia of Support Rail

Información adicional

207 Nm	Max. permissible drive torque
4xKWSE25-H	Carriage
0,1 mm	Repeat Accuracy ±
230 mm	Feed (mm/rotation)
50AT10	Toothed Belt
0,945 kg/m	Mass of Toothed Belt
5.640 N	Permissible Toothed Belt operating force
35,2 kg*cm ²	Mass moment of inertia of Gears



Rango de temperatura

max	80 °C	Maximum operating Temperatur
min	0 °C	Minimum operating Temperatur