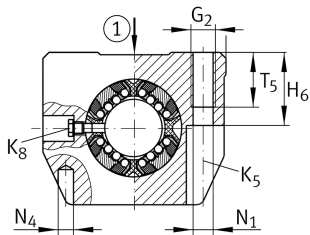
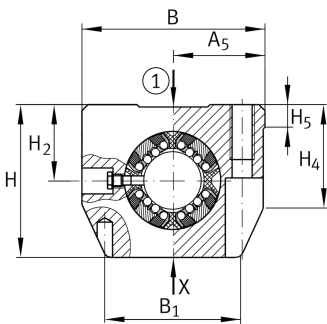
**KGSNS30-PP-AS**

Unidad de rodamiento lineal de bolas

Linear ball bearing and housing unit; with self-aligning linear ball bearing, slotted design, sealed, greased, with relubrication facility

Información técnica

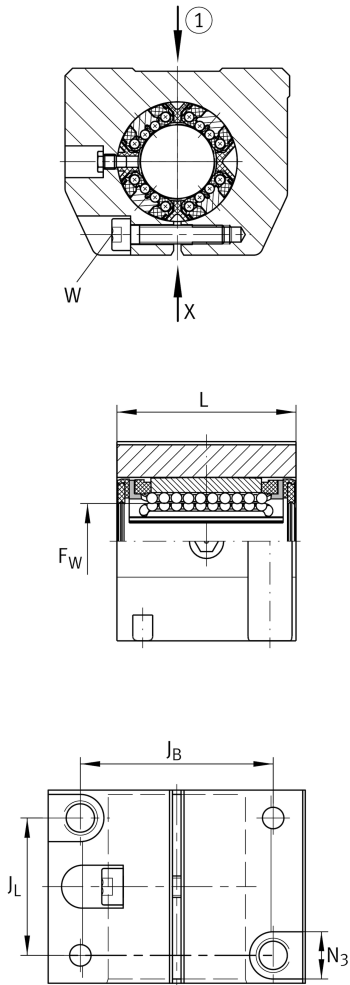


Variante de su producto actual

Size code	30	
Seal	PP	
n.r.		
AS	Relubrication facility	
≈m	0,85 kg	Peso

Medidas principales y datos de rendimiento

F _w	30 mm	Diameter of ball complement
H	70 mm	Height
L	68 mm	Longitud
B	87 mm	Anchura
C _{max}	5.900 N	Load capacity dyn.
C _{0 max}	6.000 N	Load capacity stat.



Medidas de montaje

J _B	68 mm	
B ₁	63 mm	
A ₅	43,5 mm	
Tol A ₅	+ 0,01 mm	Upper tolerance
Tol A ₅	- 0,01 mm	Lower tolerance
J _L	45 mm	Distance
Tol J _L	+ 0,15 mm	Upper tolerance
H ₂	35 mm	Center height
H ₄	46,2 mm	
H ₅	9,3 mm	
T ₅	22 mm	Mounting Dimension
H ₆	34 mm	Mounting Dimension
G ₂	M10	
N ₁	8,4 mm	Mounting Dimension
N ₄	6 mm	
N ₃	15 mm	Mounting Dimension
K ₅	M8	
K ₈	NIP5MZ	Lubrication nipple
W	5 mm	Width across flats
	8	Ball rows