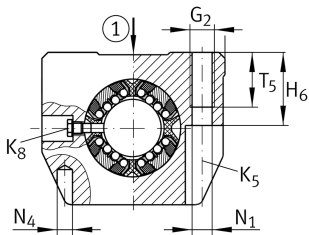
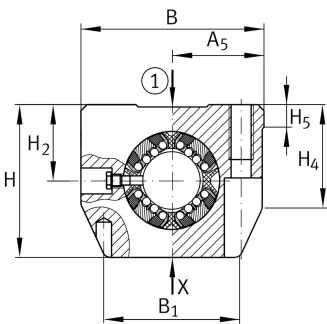
**KGSNS25-PP-AS**

Unidad de rodamiento lineal de bolas

Linear ball bearing and housing unit; with self-aligning linear ball bearing, slotted design, sealed, greased, with relubrication facility

Información técnica

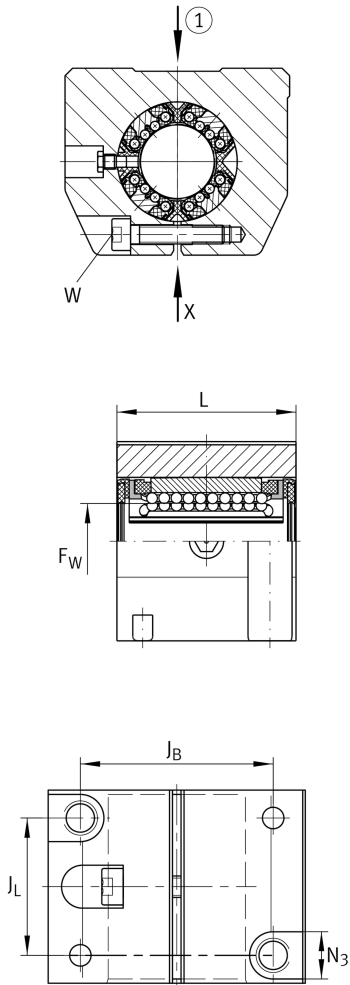


Variante de su producto actual

| | | |
|-------------|------------------------|------|
| Size code | 25 | |
| Seal | PP | |
| n.r. | | |
| AS | Relubrication facility | |
| ≈m | 0,63 kg | Peso |

Medidas principales y datos de rendimiento

| | | |
|--------------------|---------|-----------------------------|
| F _w | 25 mm | Diameter of ball complement |
| H | 60 mm | Height |
| L | 58 mm | Longitud |
| B | 78 mm | Anchura |
| C _{max} | 3.950 N | Load capacity dyn. |
| C _{0 max} | 4.300 N | Load capacity stat. |



Medidas de montaje

| | | |
|--------------------|-----------|--------------------|
| J _B | 60 mm | |
| B ₁ | 59,4 mm | |
| A ₅ | 39 mm | |
| Tol A ₅ | + 0,01 mm | Upper tolerance |
| Tol A ₅ | - 0,01 mm | Lower tolerance |
| J _L | 40 mm | Distance |
| Tol J _L | + 0,15 mm | Upper tolerance |
| H ₂ | 30 mm | Center height |
| H ₄ | 41,5 mm | |
| H ₅ | 8,3 mm | |
| T ₅ | 22 mm | Mounting Dimension |
| H ₆ | 29 mm | Mounting Dimension |
| G ₂ | M10 | |
| N ₁ | 8,4 mm | Mounting Dimension |
| N ₄ | 6 mm | |
| N ₃ | 15 mm | Mounting Dimension |
| K ₅ | M8 | |
| K ₈ | NIP5MZ | Lubrication nipple |
| W | 5 mm | Width across flats |
| | 8 | Ball rows |