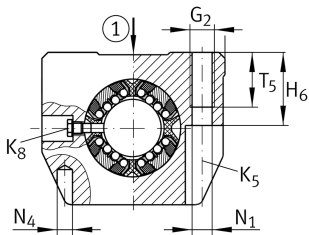
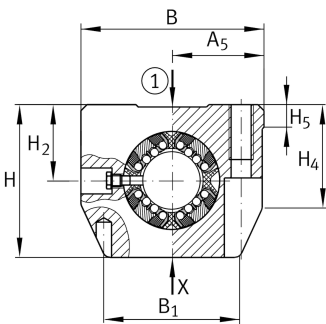
**KGSNS20-PP-AS**

Unidad de rodamiento lineal de bolas

Linear ball bearing and housing unit; with self-aligning linear ball bearing, slotted design, sealed, greased, with relubrication facility

Información técnica

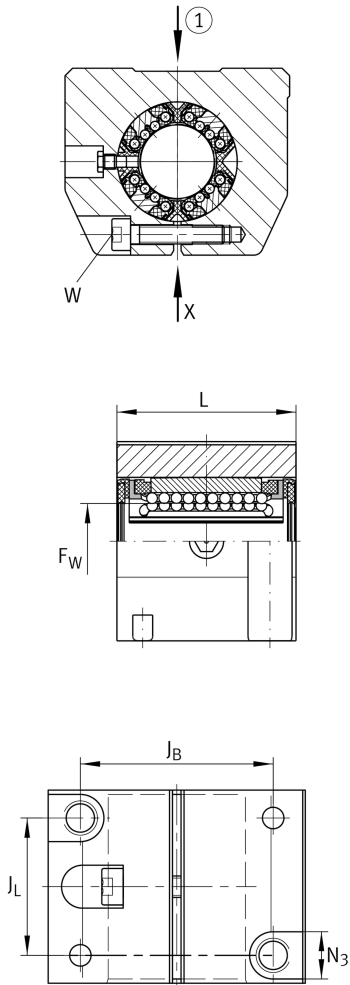


Variante de su producto actual

Size code	20	
Seal	PP	
n.r.		
AS	Relubrication facility	
≈m	0,36 kg	Peso

Medidas principales y datos de rendimiento

F _w	20 mm	Diameter of ball complement
H	50 mm	Height
L	45 mm	Longitud
B	60 mm	Anchura
C _{max}	2.200 N	Load capacity dyn.
C _{0 max}	2.310 N	Load capacity stat.



Medidas de montaje

J _B	45 mm	
B ₁	44 mm	
A ₅	30 mm	
Tol A ₅	+ 0,01 mm	Upper tolerance
Tol A ₅	- 0,01 mm	Lower tolerance
J _L	32 mm	Distance
Tol J _L	+ 0,15 mm	Upper tolerance
H ₂	25 mm	Center height
H ₄	34,1 mm	
H ₅	7,4 mm	
T ₅	18 mm	Mounting Dimension
H ₆	24 mm	Mounting Dimension
G ₂	M8	
N ₁	6,6 mm	Mounting Dimension
N ₄	5 mm	
N ₃	11 mm	Mounting Dimension
K ₅	M6	
K ₈	NIP4MZ	Lubrication nipple
W	4 mm	Width across flats
	8	Ball rows