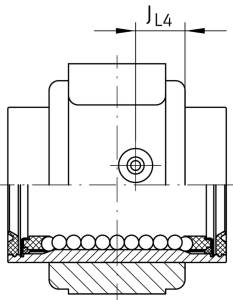
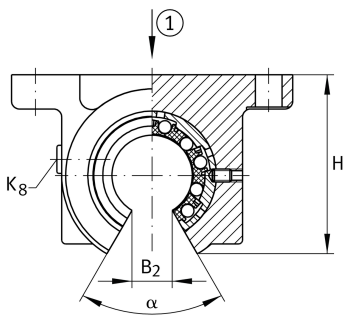
**KGB040-PP-AS**

Unidad de rodamiento lineal de bolas

Linear ball bearing and housing unit; open design, sealed, greased, with relubrication facility; corrosion-resistant design possible

Información técnica

**n.r.**

	PP	Seal
	AS	Relubrication facility
≈m	1,28 kg	Peso

Medidas principales y datos de rendimiento

H	79,5 mm	Center height
L	80 mm	Longitud
Tol L	h12	Tolerance
B	108 mm	Anchura
C	6.100 N	Load capacity dyn.
C ₀	4.600 N	Load capacity stat. C ₀

**Medidas de montaje**

J _B	94 mm	
Tol J _B	+ 0,2 mm	Upper tolerance
Tol J _B	- 0,2 mm	Lower tolerance
B ₁	77 mm	
A ₅	54 mm	
Tol A ₅	+ 0,02 mm	Upper tolerance
Tol A ₅	- 0,02 mm	Lower tolerance
B ₂	18,2 mm	
L ₄	40 mm	Distance
L ₅	56 mm	Distance
J L ₄	23 mm	Distance
H ₂	45 mm	Height shaft
Tol H ₂	+ 0,015 mm	Upper tolerance
Tol H ₂	- 0,015 mm	Lower tolerance
A ₃	30 mm	
H ₆	12 mm	
N ₁	9 mm	
N ₃	15 mm	
K ₅	M8	
K ₈	NIPA2	Lubrication nipple
α	54 °	Angle
	5	Ball rows