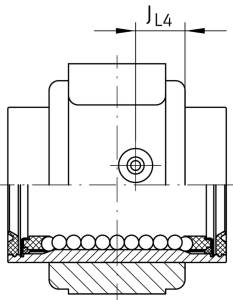
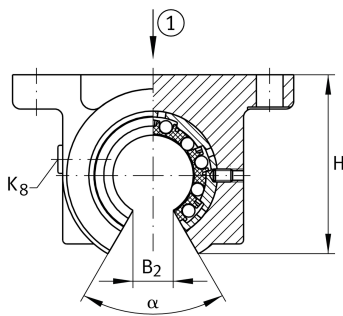
**KGB025-PP-AS**

Unidad de rodamiento lineal de bolas

Linear ball bearing and housing unit; open design, sealed, greased, with relubrication facility; corrosion-resistant design possible

Información técnica

**n.r.**

	PP	Seal
	AS	Relubrication facility
≈m	0,49 kg	Peso

Medidas principales y datos de rendimiento

H	54,5 mm	Center height
L	58 mm	Longitud
Tol L	h12	Tolerance
B	80 mm	Anchura
C	2.850 N	Load capacity dyn.
C ₀	2.330 N	Load capacity stat. C ₀



Medidas de montaje

J _B	68 mm	
Tol J _B	+ 0,15 mm	Upper tolerance
Tol J _B	- 0,15 mm	Lower tolerance
B ₁	55 mm	
A ₅	40 mm	
Tol A ₅	+ 0,02 mm	Upper tolerance
Tol A ₅	- 0,02 mm	Lower tolerance
B ₂	12,5 mm	
L ₄	28 mm	Distance
L ₅	40 mm	Distance
J L ₄	15 mm	Distance
H ₂	30 mm	Height shaft
Tol H ₂	+ 0,015 mm	Upper tolerance
Tol H ₂	- 0,015 mm	Lower tolerance
A ₃	23 mm	
H ₆	10 mm	
N ₁	6,6 mm	
N ₃	11 mm	
K ₅	M6	
K ₈	NIPA1	Lubrication nipple
α	60 °	Angle
	5	Ball rows