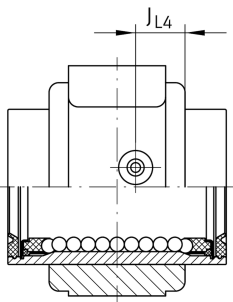
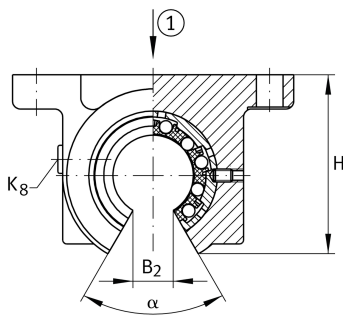
**KGBO20-PP-AS**

Unidad de rodamiento lineal de bolas

Linear ball bearing and housing unit; open design, sealed, greased, with relubrication facility; corrosion-resistant design possible

Información técnica

**n.r.**

	PP	Seal
	AS	Relubrication facility
≈m	0,25 kg	Peso

Medidas principales y datos de rendimiento

H	45 mm	Center height
L	45 mm	Longitud
Tol L	h12	Tolerance
B	70 mm	Anchura
C	1.600 N	Load capacity dyn.
C ₀	1.280 N	Load capacity stat. C ₀

**Medidas de montaje**

J _B	58 mm	
Tol J _B	+ 0,15 mm	Upper tolerance
Tol J _B	- 0,15 mm	Lower tolerance
B ₁	45 mm	
A ₅	35 mm	
Tol A ₅	+ 0,02 mm	Upper tolerance
Tol A ₅	- 0,02 mm	Lower tolerance
B ₂	10 mm	
L ₄	20 mm	Distance
L ₅	28 mm	Distance
J L ₄	9,5 mm	Distance
H ₂	25 mm	Height shaft
Tol H ₂	+ 0,015 mm	Upper tolerance
Tol H ₂	- 0,015 mm	Lower tolerance
A ₃	21 mm	
H ₆	8 mm	
N ₁	6,6 mm	
N ₃	11 mm	
K ₅	M6	
K ₈	NIPA1	Lubrication nipple
α	60 °	Angle
	5	Ball rows