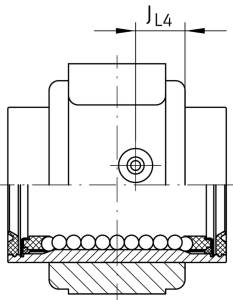
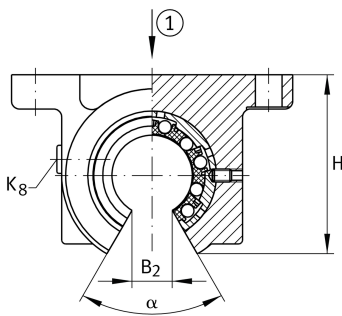
**KGB016-PP-AS**

Unidad de rodamiento lineal de bolas

Linear ball bearing and housing unit; open design, sealed, greased, with relubrication facility; corrosion-resistant design possible

Información técnica

**n.r.**

	16	Size code
	PP	Seal
	AS	Relubrication facility
≈m	0,119 kg	Peso

Medidas principales y datos de rendimiento

F _w	16 mm	Diameter of ball complement
H	33,5 mm	Center height
L	36 mm	Longitud
Tol L	h12	Tolerance
B	56 mm	Anchura
C	800 N	Load capacity dyn.
C ₀	620 N	Load capacity stat. C0



Medidas de montaje

J _B	46 mm	
Tol J _B	+ 0,15 mm	Upper tolerance
Tol J _B	- 0,15 mm	Lower tolerance
B ₁	35 mm	
A ₅	28 mm	
Tol A ₅	+ 0,02 mm	Upper tolerance
Tol A ₅	- 0,02 mm	Lower tolerance
B ₂	10,1 mm	
L ₄	15 mm	Distance
L ₅	22 mm	Distance
J L ₄	6,5 mm	Distance
H ₂	20 mm	Height shaft
Tol H ₂	+ 0,015 mm	Upper tolerance
Tol H ₂	- 0,015 mm	Lower tolerance
A ₃	15 mm	
H ₆	6 mm	
N ₁	5,5 mm	
N ₃	10 mm	
K ₅	M5	
K ₈	NIPA1	Lubrication nipple
α	78 °	Angle
	4	Ball rows