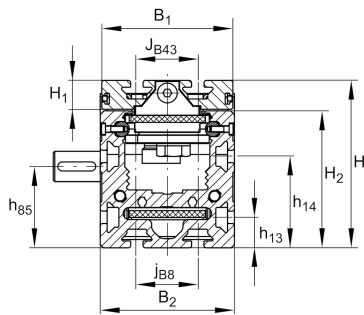
**MLFI50-500-C-ZR-N-FA517.2** [↗](#)

Módulo lineal

Actuators with internal track roller guidance system and toothed belt drive. With support rail in three segments and fixing slots in carriage

Información técnica

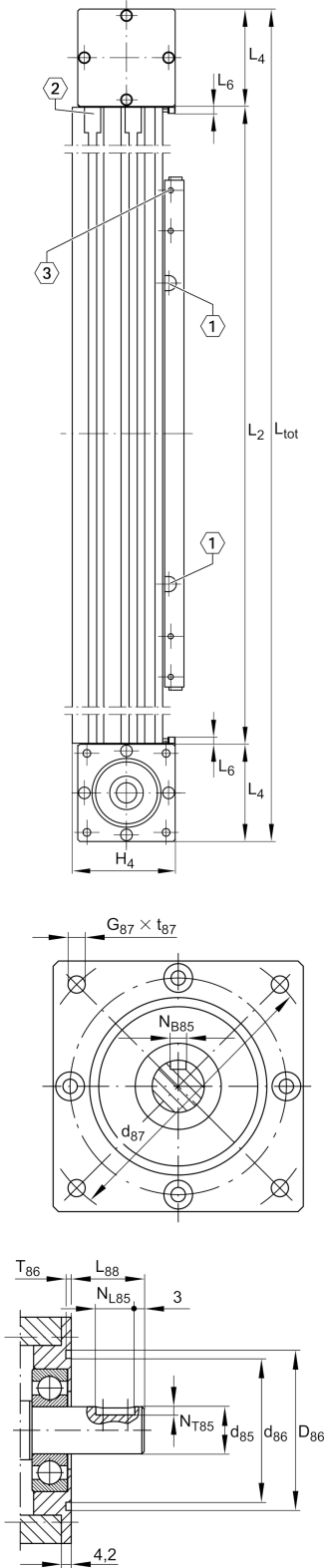


Variante de su producto actual

Size code	50	
Length of carriage	500	500 mm
Version	C	
Ejecución	/	Basis
Drive type	(3)ZR	Toothed belt drive
Additional carriage	/	No additional carriage
Attachment to the carriage	N	T-Slots
Support rail design	FA517.2	Three-Piece

Medidas principales y datos de rendimiento

B 2	88 mm	Total Width
H	110 mm	Altura
L	500 mm	Longitud



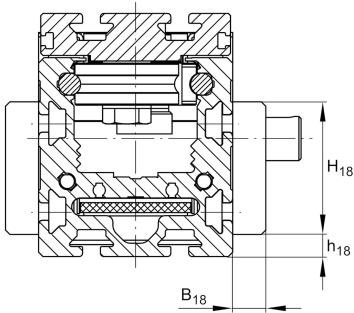
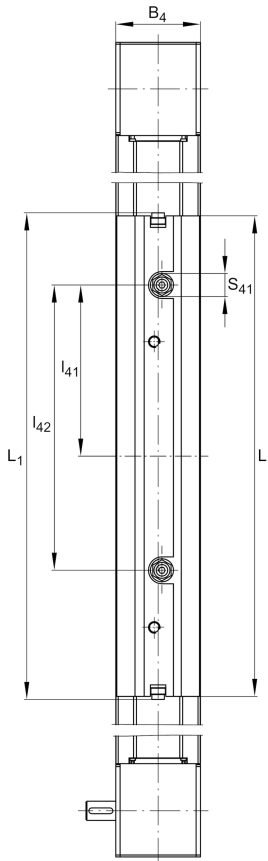
Medidas de montaje

D 86	68 mm	
Tol D 86	G7	Tolerance
D 87	110 mm	Ø Bolt circle
d 85	20 mm	
Tol d 85	h7	Tolerance
L 88	31 mm	
d 86	61 mm	Ø Inner Fit
G 87	M6	Thread
h 85	53,4 mm	
J B43	40 mm	
J B8	40 mm	
l 41	144 mm	
l 42	288 mm	
N B85	6 mm	Width of Keyway
Tol N B85	P9	Tolerance
N L85	25 mm	Length of Keyway
N T85	3,5 mm	Depth of Keyway, Tolerance P9
T 86	2,3 mm	Depth Fit
Tol T 86 up	0,3 mm	Upper Tolerance
Tol T 86 low	0 mm	Lower Tolerance
t 87 max	24 mm	



Medidas

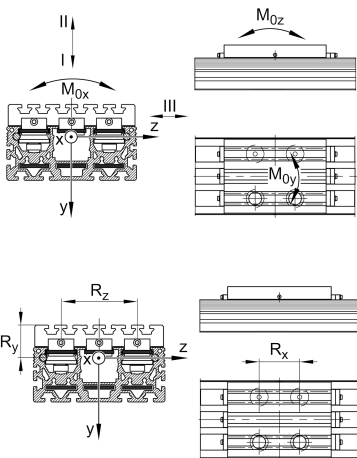
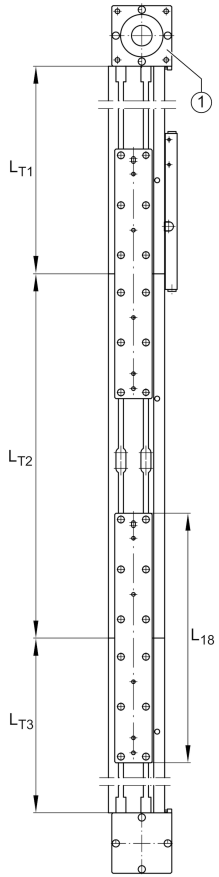
B ₁	86 mm	Width of Carriage
B _{4 max}	89,2 mm	
B ₁₈	15 mm	
H ₁	19 mm	Height of Carriage
H ₂	90 mm	Altura
H ₄	101,4 mm	Height of Return Unit
H ₁₈	60 mm	
h ₁₃	20 mm	
h ₁₄	60 mm	
h ₁₈	10 mm	
L ₁	510 mm	Longitud
L _{2 max}	24.000 mm	Maximum length of Support Rail
L ₄	97 mm	
L ₆	6 mm	Length of Wiper Brushes
L ₁₈	400 mm	
L _{Tn min}	500 mm	Support Rail in Segments length min
L _{Tn max}	8.000 mm	Support Rail in Segments length max
S ₄₁	28 mm	
S	85 mm	Medida





Datos técnicos

m_{LAW}	3,22 kg	Mass of Carriage
m_1	2,78 kg	Mass of Connecting Plates of Profiles
v_{max}	8 m/s	Maximum Speed
a_{max}	40 m/s ²	Maximum Acceleration
R_x	332,3 mm	
R_y	32 mm	
R_z	8,5 mm	
I C	11.400 N	Load direction I: compressive load
I C ₀	5.200 N	Load direction I: compressive load
II C	11.400 N	Load direction II: tensile load
II C ₀	3.520 N	Load direction II: tensile load
III C	16.800 N	Load direction III: lateral load
III C ₀	10.000 N	Load direction III: lateral load
$M_{0x \text{ per}}$	164 Nm	Max. permissible static moment per Carriage
$M_{0y \text{ per}}$	1.600 Nm	Max. permissible static moment per Carriage
$M_{0z \text{ per}}$	810 Nm	Max. permissible static moment per Carriage
I_y	300 cm ⁴	Geometrical moments of inertia of Support Rail
I_z	198 cm ⁴	Geometrical moments of inertia of Support Rail
Información adicional		
	68,8 Nm	Max. permissible drive torque
	4xLFR5201-10-2Z	Track Rollers
	0,1 mm	Repeat Accuracy ±
	200 mm	Feed (mm/rotation)
	50-AT-10	Toothed Belt
	0,29 kg/m	Mass of Toothed Belt
	1.880 N	Permissible Toothed Belt operating force
	5 kg*cm ²	Mass moment of inertia of Gears and Gearboxes





Rango de temperatura

T _{min}	0 °C	Minimum operating Temperatur
------------------	------	------------------------------

T _{max}	80 °C	Maximum operating Temperatur
------------------	-------	------------------------------