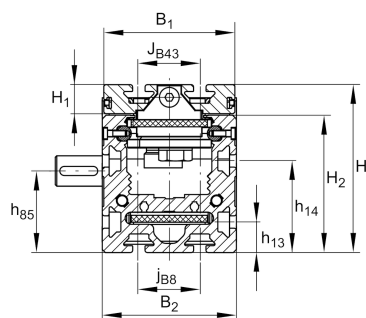
**MLFI50-500-C-LN-ZR-W2-N-FA517.1** [↗](#)

Módulo lineal

Actuators with internal track roller guidance system and toothed belt drive. Low Noise design with support rail in two segments, with second, driven carriage and fixing slots in carriage

Información técnica

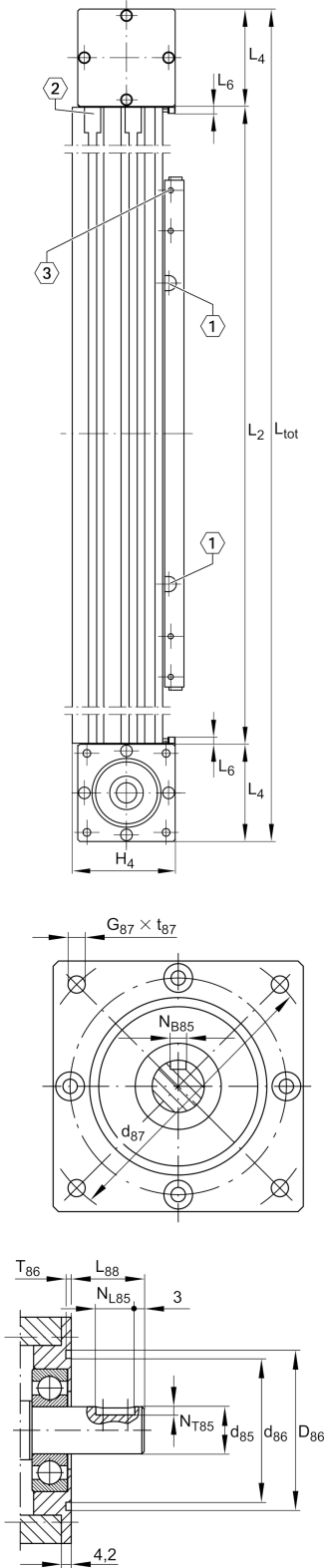


Variante de su producto actual

| | | |
|----------------------------|---------|-------------------------|
| Size code | 50 | |
| Length of carriage | 500 | 500 mm |
| Version | C | |
| Ejecución | LN | Low-Noise |
| Drive type | (3)ZR | Toothed belt drive |
| Additional carriage | W2 | Second, driven carriage |
| Attachment to the carriage | N | T-Slots |
| Support rail design | FA517.1 | Two-Piece |

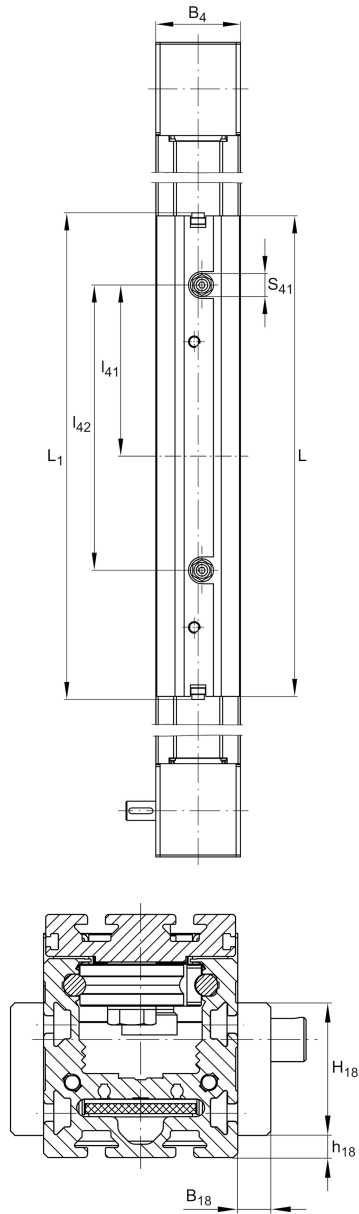
Medidas principales y datos de rendimiento

| | | |
|----------------|--------|-------------|
| B ₂ | 88 mm | Total Width |
| H | 110 mm | Altura |
| L | 500 mm | Longitud |



Medidas de montaje

| | | |
|--------------|---------|-------------------------------|
| D 86 | 68 mm | |
| Tol D 86 | G7 | Tolerance |
| D 87 | 110 mm | Ø Bolt circle |
| d 85 | 20 mm | |
| Tol d 85 | h7 | Tolerance |
| L 88 | 31 mm | |
| d 86 | 61 mm | Ø Inner Fit |
| G 87 | M6 | Thread |
| h 85 | 53,4 mm | |
| J B43 | 40 mm | |
| J B8 | 40 mm | |
| l 41 | 144 mm | |
| l 42 | 288 mm | |
| N B85 | 6 mm | Width of Keyway |
| Tol N B85 | P9 | Tolerance |
| N L85 | 25 mm | Length of Keyway |
| N T85 | 3,5 mm | Depth of Keyway, Tolerance P9 |
| T 86 | 2,3 mm | Depth Fit |
| Tol T 86 up | 0,3 mm | Upper Tolerance |
| Tol T 86 low | 0 mm | Lower Tolerance |
| t 87 max | 24 mm | |



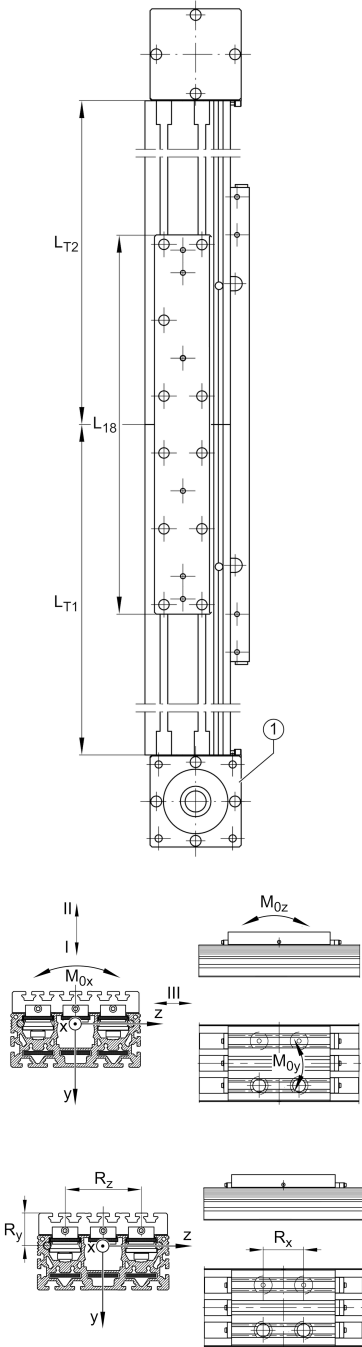
Medidas

| | | |
|----------|-----------|-------------------------------------|
| B 1 | 86 mm | Width of Carriage |
| B 4 max | 89,2 mm | |
| B 18 | 15 mm | |
| H 1 | 19 mm | Height of Carriage |
| H 2 | 90 mm | Altura |
| H 4 | 101,4 mm | Height of Return Unit |
| H 18 | 60 mm | |
| h 13 | 20 mm | |
| h 14 | 60 mm | |
| h 18 | 10 mm | |
| L 1 | 510 mm | Longitud |
| L 2 max | 16.000 mm | Maximum length of Support Rail |
| L 4 | 97 mm | |
| L 6 | 6 mm | Length of Wiper Brushes |
| L 18 | 400 mm | |
| L Tn min | 500 mm | Support Rail in Segments length min |
| L Tn max | 8.000 mm | Support Rail in Segments length max |
| S 41 | 28 mm | |
| S | 85 mm | Medida |



Datos técnicos

| | | |
|----------------------|---------------------|--|
| m_{LAW} | 3,22 kg | Mass of Carriage |
| m_1 | 1,4 kg | Mass of Connecting Plates of Profiles |
| m_3 | 3,32 kg | Mass of additional Carriage |
| v_{max} | 8 m/s | Maximum Speed |
| a_{max} | 40 m/s ² | Maximum Acceleration |
| R_x | 332,3 mm | |
| R_y | 32 mm | |
| R_z | 8,5 mm | |
| I C | 11.400 N | Load direction I: compressive load |
| I C ₀ | 5.200 N | Load direction I: compressive load |
| II C | 11.400 N | Load direction II: tensile load |
| II C ₀ | 3.520 N | Load direction II: tensile load |
| III C | 16.800 N | Load direction III: lateral load |
| III C ₀ | 10.000 N | Load direction III: lateral load |
| $M_{0x \text{ per}}$ | 164 Nm | Max. permissible static moment per Carriage |
| $M_{0y \text{ per}}$ | 1.600 Nm | Max. permissible static moment per Carriage |
| $M_{0z \text{ per}}$ | 810 Nm | Max. permissible static moment per Carriage |
| I_y | 300 cm ⁴ | Geometrical moments of inertia of Support Rail |
| I_z | 198 cm ⁴ | Geometrical moments of inertia of Support Rail |





Información adicional

| | |
|----------------------|---|
| 68,8 Nm | Max. permissible drive torque |
| 4xLFR5201-10-2Z | Track Rollers |
| 0,1 mm | Repeat Accuracy ± |
| 200 mm | Feed (mm/rotation) |
| 50-BATK-10 | Toothed Belt |
| 0,3 kg/m | Mass of Toothed Belt |
| 1.880 N | Permissible Toothed Belt operating force |
| 5 kg*cm ² | Mass moment of inertia of Gears and Gearboxes |

Rango de temperatura

| | | |
|------------------|-------|------------------------------|
| T _{min} | 0 °C | Minimum operating Temperatur |
| T _{max} | 80 °C | Maximum operating Temperatur |