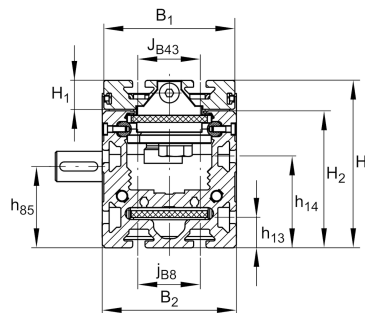
**MLFI50-500-C-LN-ZR-W2-N** [↗](#)

Módulo lineal

Actuators with internal track roller guidance system and toothed belt drive. Low Noise design with second, driven carriage and fixing slots in carriage

Información técnica

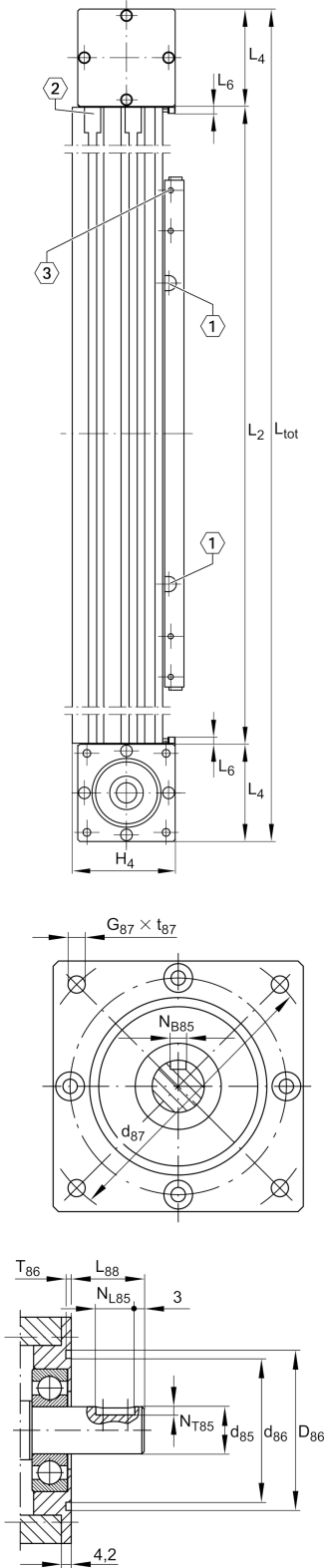


Variante de su producto actual

Size code	50	
Length of carriage	500	500 mm
Version	C	
Ejecución	LN	Low-Noise
Drive type	(3)ZR	Toothed belt drive
Additional carriage	W2	Second, driven carriage
Attachment to the carriage	N	T-Slots
Support rail design	/	One-piece

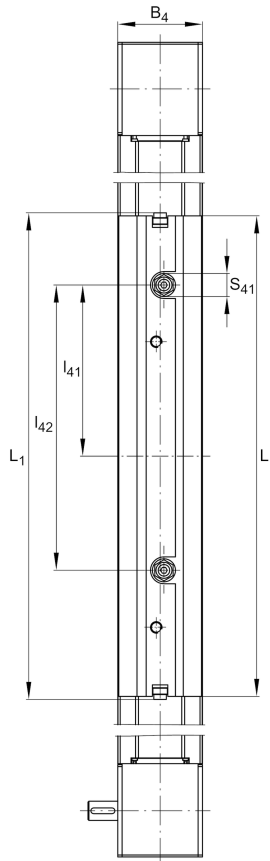
Medidas principales y datos de rendimiento

B ₂	88 mm	Total Width
H	110 mm	Altura
L	500 mm	Longitud



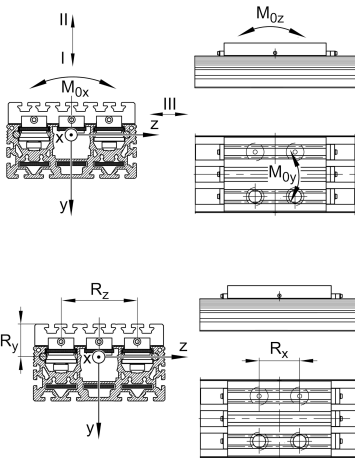
Medidas de montaje

D 86	68 mm	
Tol D 86	G7	Tolerance
D 87	110 mm	Ø Bolt circle
d 85	20 mm	
Tol d 85	h7	Tolerance
L 88	31 mm	
d 86	61 mm	Ø Inner Fit
G 87	M6	Thread
h 85	53,4 mm	
J B43	40 mm	
J B8	40 mm	
l 41	144 mm	
l 42	288 mm	
N B85	6 mm	Width of Keyway
Tol N B85	P9	Tolerance
N L85	25 mm	Length of Keyway
N T85	3,5 mm	Depth of Keyway, Tolerance P9
T 86	2,3 mm	Depth Fit
Tol T 86 up	0,3 mm	Upper Tolerance
Tol T 86 low	0 mm	Lower Tolerance
t 87 max	24 mm	



Medidas

B_1	86 mm	Width of Carriage
$B_4 \text{ max}$	89,2 mm	
H_1	19 mm	Height of Carriage
H_2	90 mm	Altura
H_4	101,4 mm	Height of Return Unit
h_{13}	20 mm	
h_{14}	60 mm	
L_1	510 mm	Longitud
$L_2 \text{ max}$	8.000 mm	Maximum length of Support Rail
L_4	97 mm	
L_6	6 mm	Length of Wiper Brushes
S_{41}	28 mm	
S	85 mm	Medida





Datos técnicos

m_{LAW}	3,22 kg	Mass of Carriage
m_3	3,32 kg	Mass of additional Carriage
v_{max}	8 m/s	Maximum Speed
a_{max}	40 m/s ²	Maximum Acceleration
R_x	332,3 mm	
R_y	32 mm	
R_z	8,5 mm	
I C	11.400 N	Load direction I: compressive load
I C ₀	5.200 N	Load direction I: compressive load
II C	11.400 N	Load direction II: tensile load
II C ₀	3.520 N	Load direction II: tensile load
III C	16.800 N	Load direction III: lateral load
III C ₀	10.000 N	Load direction III: lateral load
M _{0x per}	164 Nm	Max. permissible static moment per Carriage
M _{0y per}	1.600 Nm	Max. permissible static moment per Carriage
M _{0z per}	810 Nm	Max. permissible static moment per Carriage
I _y	300 cm ⁴	Geometrical moments of inertia of Support Rail
I _z	198 cm ⁴	Geometrical moments of inertia of Support Rail

Información adicional

68,8 Nm	Max. permissible drive torque
4xLFR5201-10-2Z	Track Rollers
0,1 mm	Repeat Accuracy ±
200 mm	Feed (mm/rotation)
50-BATK-10	Toothed Belt
0,3 kg/m	Mass of Toothed Belt
1.880 N	Permissible Toothed Belt operating force
5 kg*cm ²	Mass moment of inertia of Gears and Gearboxes



Rango de temperatura

T_{min} 0 °C Minimum operating Temperatur

T_{max} 80 °C Maximum operating Temperatur