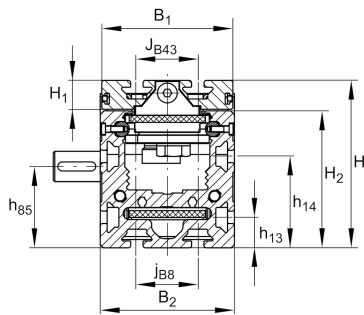
**MLFI50-500-C-LN-ZR-N-FA517.1** [↗](#)

## Módulo lineal

Actuators with internal track roller guidance system and toothed belt drive. Low Noise design with support rail in two segments and fixing slots in carriage

## Información técnica

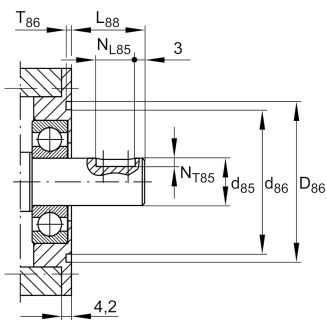
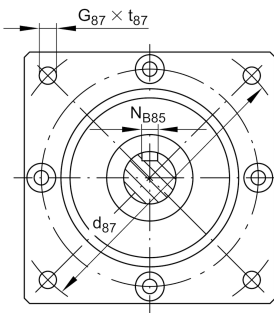
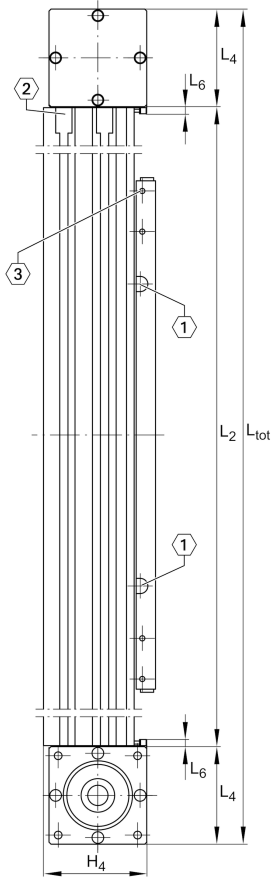


## Variante de su producto actual

Size code	50	
Length of carriage	500	500 mm
Version	C	
Ejecución	LN	Low-Noise
Drive type	(3)ZR	Toothed belt drive
Additional carriage	/	No additional carriage
Attachment to the carriage	N	T-Slots
Support rail design	FA517.1	Two-Piece

## Medidas principales y datos de rendimiento

B 2	88 mm	Total Width
H	110 mm	Altura
L	500 mm	Longitud



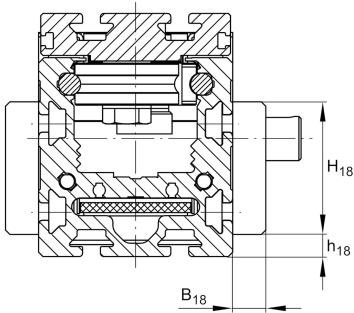
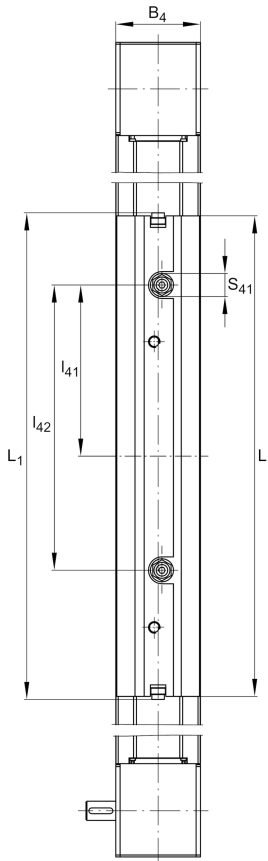
### Medidas de montaje

D 86	68 mm	
Tol D 86	G7	Tolerance
D 87	110 mm	Ø Bolt circle
d 85	20 mm	
Tol d 85	h7	Tolerance
L 88	31 mm	
d 86	61 mm	Ø Inner Fit
G 87	M6	Thread
h 85	53,4 mm	
J B43	40 mm	
J B8	40 mm	
l 41	144 mm	
l 42	288 mm	
N B85	6 mm	Width of Keyway
Tol N B85	P9	Tolerance
N L85	25 mm	Length of Keyway
N T85	3,5 mm	Depth of Keyway, Tolerance P9
T 86	2,3 mm	Depth Fit
Tol T 86 up	0,3 mm	Upper Tolerance
Tol T 86 low	0 mm	Lower Tolerance
t 87 max	24 mm	



## Medidas

B <sub>1</sub>	86 mm	Width of Carriage
B <sub>4 max</sub>	89,2 mm	
B <sub>18</sub>	15 mm	
H <sub>1</sub>	19 mm	Height of Carriage
H <sub>2</sub>	90 mm	Altura
H <sub>4</sub>	101,4 mm	Height of Return Unit
H <sub>18</sub>	60 mm	
h <sub>13</sub>	20 mm	
h <sub>14</sub>	60 mm	
h <sub>18</sub>	10 mm	
L <sub>1</sub>	510 mm	Longitud
L <sub>2 max</sub>	16.000 mm	Maximum length of Support Rail
L <sub>4</sub>	97 mm	
L <sub>6</sub>	6 mm	Length of Wiper Brushes
L <sub>18</sub>	400 mm	
L <sub>Tn min</sub>	500 mm	Support Rail in Segments length min
L <sub>Tn max</sub>	8.000 mm	Support Rail in Segments length max
S <sub>41</sub>	28 mm	
S	85 mm	Medida



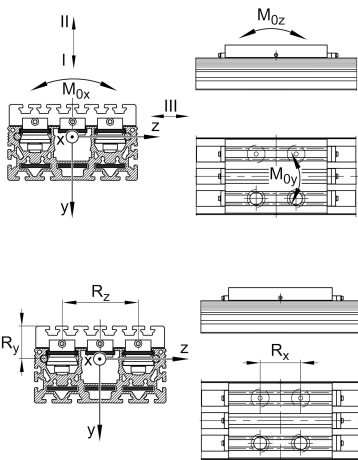
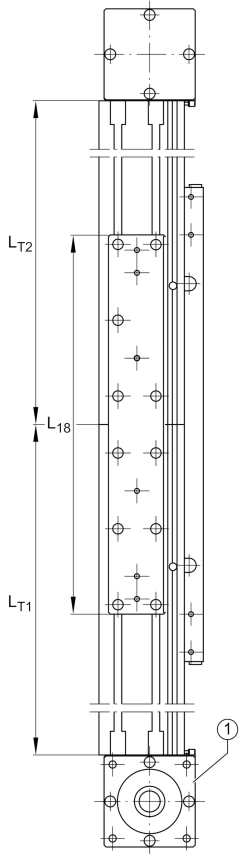


### Datos técnicos

$m_{LAW}$	3,22 kg	Mass of Carriage
$m_1$	1,4 kg	Mass of Connecting Plates of Profiles
$v_{max}$	8 m/s	Maximum Speed
$a_{max}$	40 m/s <sup>2</sup>	Maximum Acceleration
$R_x$	332,3 mm	
$R_y$	32 mm	
$R_z$	8,5 mm	
I C	11.400 N	Load direction I: compressive load
I C <sub>0</sub>	5.200 N	Load direction I: compressive load
II C	11.400 N	Load direction II: tensile load
II C <sub>0</sub>	3.520 N	Load direction II: tensile load
III C	16.800 N	Load direction III: lateral load
III C <sub>0</sub>	10.000 N	Load direction III: lateral load
$M_{0x\ per}$	164 Nm	Max. permissible static moment per Carriage
$M_{0y\ per}$	1.600 Nm	Max. permissible static moment per Carriage
$M_{0z\ per}$	810 Nm	Max. permissible static moment per Carriage
$I_y$	300 cm <sup>4</sup>	Geometrical moments of inertia of Support Rail
$I_z$	198 cm <sup>4</sup>	Geometrical moments of inertia of Support Rail

### Información adicional

68,8 Nm	Max. permissible drive torque
4xLFR5201-10-2Z	Track Rollers
0,1 mm	Repeat Accuracy ±
200 mm	Feed (mm/rotation)
50-BATK-10	Toothed Belt
0,3 kg/m	Mass of Toothed Belt
1.880 N	Permissible Toothed Belt operating force
5 kg*cm <sup>2</sup>	Mass moment of inertia of Gears and Gearboxes





### Rango de temperatura

---

T <sub>min</sub>	0 °C	Minimum operating Temperatur
------------------	------	------------------------------

T <sub>max</sub>	80 °C	Maximum operating Temperatur
------------------	-------	------------------------------