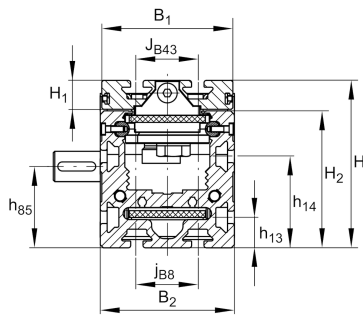
**MLFI50-250-C-ZR-W2-N-FA517.2** [↗](#)

Módulo lineal

Actuators with internal track roller guidance system and toothed belt drive. With support rail in three segments, second, driven carriage and fixing slots in carriage

Información técnica

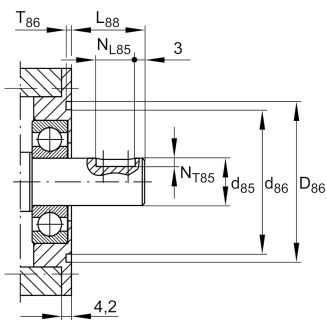
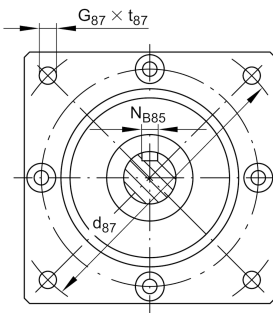
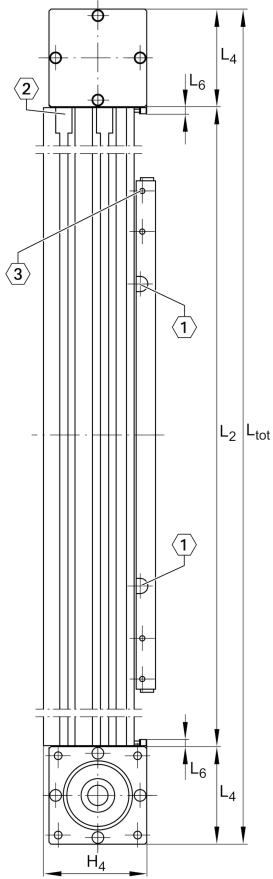


Variante de su producto actual

Size code	50	
Length of carriage	250	250 mm
Version	C	
Ejecución	/	Basis
Drive type	(3)ZR	Toothed belt drive
Additional carriage	W2	Second, driven carriage
Attachment to the carriage	N	T-Slots
Support rail design	FA517.2	Three-Piece

Medidas principales y datos de rendimiento

B 2	88 mm	Total Width
H	110 mm	Altura
L	250 mm	Longitud



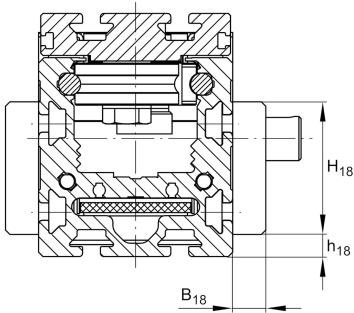
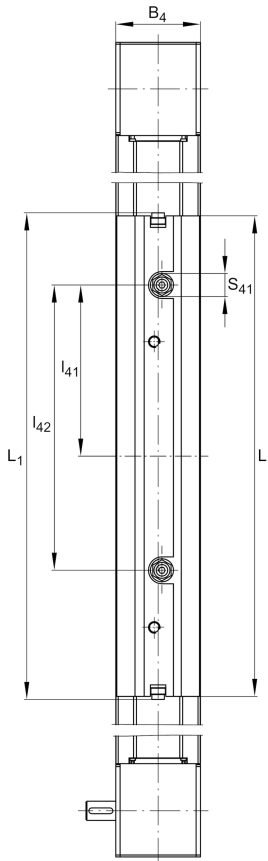
Medidas de montaje

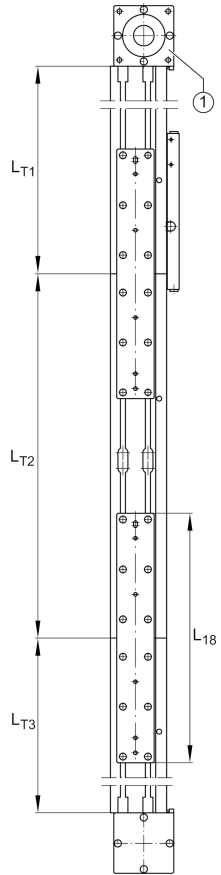
D 86	68 mm	
Tol D 86	G7	Tolerance
D 87	110 mm	Ø Bolt circle
d 85	20 mm	
Tol d 85	h7	Tolerance
L 88	31 mm	
d 86	61 mm	Ø Inner Fit
G 87	M6	Thread
h 85	53,4 mm	
J B43	40 mm	
J B8	40 mm	
l 41	58,8 mm	
l 42	81,5 mm	
N B85	6 mm	Width of Keyway
Tol N B85	P9	Tolerance
N L85	25 mm	Length of Keyway
N T85	3,5 mm	Depth of Keyway, Tolerance P9
T 86	2,3 mm	Depth Fit
Tol T 86 up	0,3 mm	Upper Tolerance
Tol T 86 low	0 mm	Lower Tolerance
t 87 max	24 mm	



Medidas

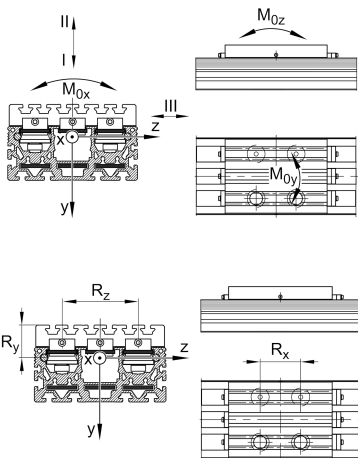
B ₁	86 mm	Width of Carriage
B _{4 max}	89,2 mm	
B ₁₈	15 mm	
H ₁	19 mm	Height of Carriage
H ₂	90 mm	Altura
H ₄	101,4 mm	Height of Return Unit
H ₁₈	60 mm	
h ₁₃	20 mm	
h ₁₄	60 mm	
h ₁₈	10 mm	
L ₁	260 mm	Longitud
L _{2 max}	24.000 mm	Maximum length of Support Rail
L ₄	97 mm	
L ₆	6 mm	Length of Wiper Brushes
L ₁₈	400 mm	
L _{Tn min}	500 mm	Support Rail in Segments length min
L _{Tn max}	8.000 mm	Support Rail in Segments length max
S ₄₁	28 mm	
S	85 mm	Medida





Datos técnicos

m_{LAW}	2,27 kg	Mass of Carriage
m_1	2,78 kg	Mass of Connecting Plates of Profiles
m_3	2,27 kg	Mass of additional Carriage
v_{max}	8 m/s	Maximum Speed
a_{max}	40 m/s ²	Maximum Acceleration
R_x	82,3 mm	
R_y	32 mm	
R_z	8,5 mm	
I C	11.400 N	Load direction I: compressive load
I C ₀	5.200 N	Load direction I: compressive load
II C	11.400 N	Load direction II: tensile load
II C ₀	3.520 N	Load direction II: tensile load
III C	16.800 N	Load direction III: lateral load
III C ₀	10.000 N	Load direction III: lateral load
$M_{0x \text{ per}}$	164 Nm	Max. permissible static moment per Carriage
$M_{0y \text{ per}}$	400 Nm	Max. permissible static moment per Carriage
$M_{0z \text{ per}}$	200 Nm	Max. permissible static moment per Carriage
I_y	300 cm ⁴	Geometrical moments of inertia of Support Rail
I_z	198 cm ⁴	Geometrical moments of inertia of Support Rail





Información adicional

68,8 Nm	Max. permissible drive torque
4 x LFR5201-10-2Z	Track Rollers
0,1 mm	Repeat Accuracy ±
200 mm	Feed (mm/rotation)
50AT10	Toothed Belt
0,29 kg/m	Mass of Toothed Belt
1.880 N	Permissible Toothed Belt operating force
5 kg*cm ²	Mass moment of inertia of Gears and Gearboxes

Rango de temperatura

T _{min}	0 °C	Minimum operating Temperatur
T _{max}	80 °C	Maximum operating Temperatur