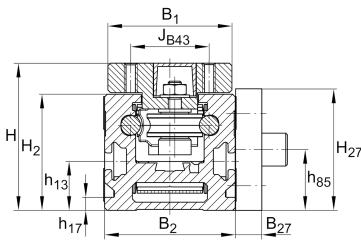
**MLFI20-250-ZR-W2**

Módulo lineal

Actuators with internal track roller guidance system and toothed belt drive. With second, driven carriage

Información técnica

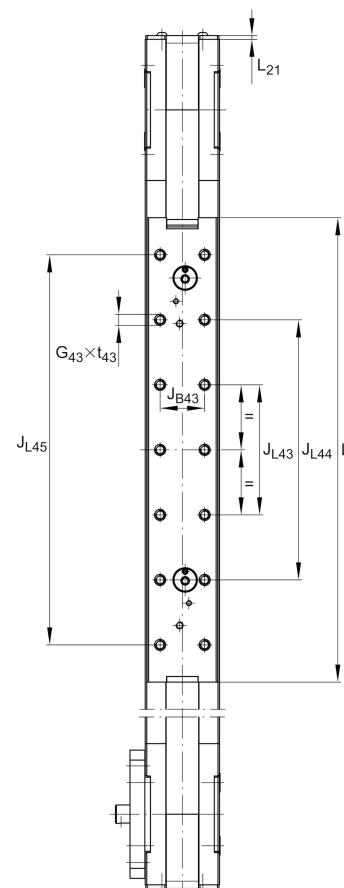
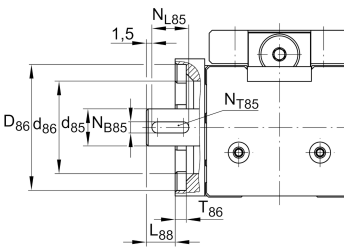
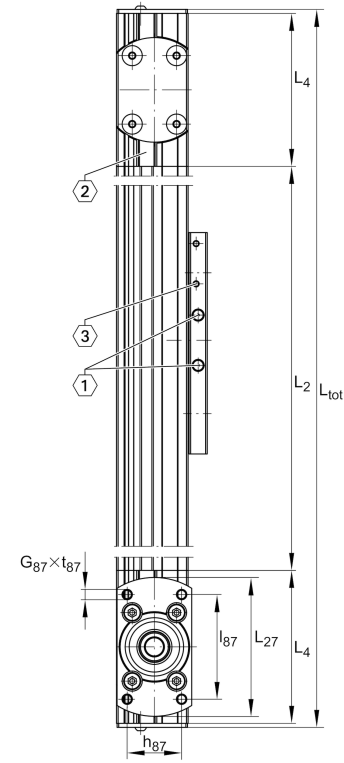


Variante de su producto actual

Size code	20	
Length of carriage	250	250 mm
Version	/	Standard
Ejecución	/	Basis
Drive type	(3)ZR	Toothed belt drive
Additional carriage	W2	Second, driven carriage
Attachment to the carriage	/	Threaded holes
Support rail design	/	One-piece

Medidas principales y datos de rendimiento

B 2	40 mm	Total Width
H	45 mm	Altura
L	250 mm	Longitud

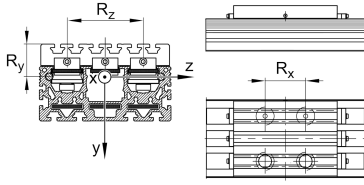


Medidas de montaje

D 86	34 mm	
Tol D 86	H7	Tolerance
d 85	10 mm	
L 88	7,8 mm	
d 86	25 mm	Ø Inner Fit
G 43	M5	Thread
G 87	M5	Thread
h 85	18,8 mm	
h 87	27 mm	Tolerance ±0,2
J B43	24 mm	
J L43	70 mm	Tolerance ±0,2
Tol J L43 up	0,2 mm	Upper Tolerance
Tol J L43 low	0 mm	Lower Tolerance
J L44	140 mm	
J L45	210 mm	
l 87	52 mm	
N B85	3 mm	Width of Keyway
N L85	10 mm	Length of Keyway
N T85	1,8 mm	Depth of Keyway, Tolerance P9
T 86	3 mm	Depth Fit
t 43 max	8 mm	Depth of Thread
t 87 max	8 mm	

La hoja de datos solo contiene una descripción general de los datos técnicos del producto seleccionado. Consulte la documentación adicional de este producto. Para más información, utilice el siguiente enlace en nuestra página web: [Formulario de contacto](#)





Medidas

B 1	38 mm	Width of Carriage
B 27	8 mm	
H 2	35,5 mm	Altura
H 27	37,3 mm	
h 13	15 mm	
h 17	4 mm	
L 2 max	2.000 mm	Maximum length of Support Rail
L 4	76 mm	
L 21	2 mm	
L 27	69 mm	
S	40 mm	Medida



Datos técnicos

m_{LAW}	0,38 kg	Mass of Carriage
m_3	0,38 kg	Mass of additional Carriage
v_{max}	4 m/s	Maximum Speed
a_{max}	20 m/s ²	Maximum Acceleration
R_x	162,5 mm	
R_y	19 mm	
R_z	3 mm	
I C	1.100 N	Load direction I: compressive load
I C ₀	560 N	Load direction I: compressive load
II C	1.100 N	Load direction II: tensile load
II C ₀	560 N	Load direction II: tensile load
III C	2.000 N	Load direction III: lateral load
III C ₀	1.400 N	Load direction III: lateral load
$M_{0x\ per}$	4,7 Nm	Max. permissible static moment per Carriage
$M_{0y\ per}$	114 Nm	Max. permissible static moment per Carriage
$M_{0z\ per}$	48 Nm	Max. permissible static moment per Carriage
I_y	11,96 cm ⁴	Geometrical moments of inertia of Support Rail
I_z	7,7 cm ⁴	Geometrical moments of inertia of Support Rail

Información adicional

	2,3 Nm	Max. permissible drive torque
	4 x LFR50/5-6-2Z	Track Rollers
	0,1 mm	Repeat Accuracy ±
	81 mm	Feed (mm/rotation)
	20AT3	Toothed Belt
	0,044 kg/m	Mass of Toothed Belt
	175 N	Permissible Toothed Belt operating force
	0,024 kg*cm ²	Mass moment of inertia of Gears and Gearboxes



Rango de temperatura

T _{min}	0 °C	Minimum operating Temperatur
------------------	------	------------------------------

T _{max}	80 °C	Maximum operating Temperatur
------------------	-------	------------------------------