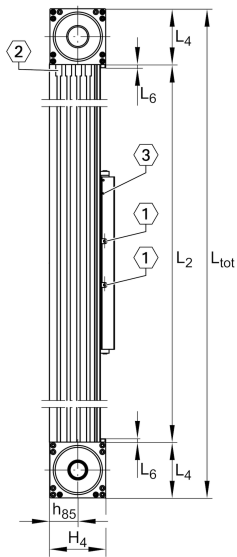
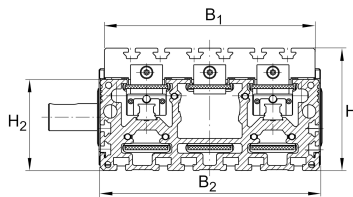


**MDKUBE25-365-3ZR-N** [↗](#)

Módulo lineal

Tandem actuators with four-row linear recirculating bearing and guideway assembly, monorail guidance system and toothed belt drive. Basic design with triple toothed belt, one driven carriage with fixing slots in carriage

Información técnica



Variante de su producto actual

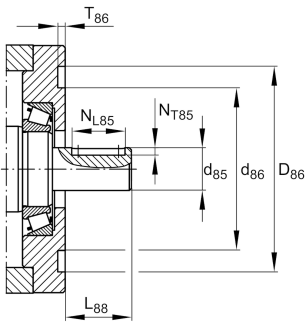
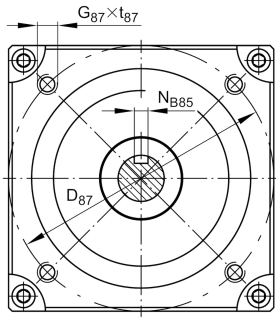
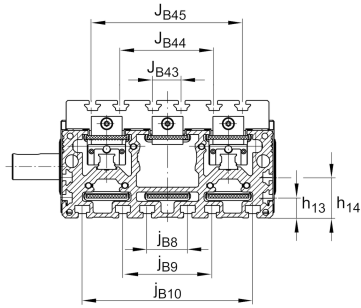
Size code	25	
Length of carriage	365	365 mm
Ejecución	/	Basis
Drive type	(3)ZR	Toothed belt drive
Additional carriage	/	No additional carriage
Attachment to the carriage	N	T-Slots

n.r.

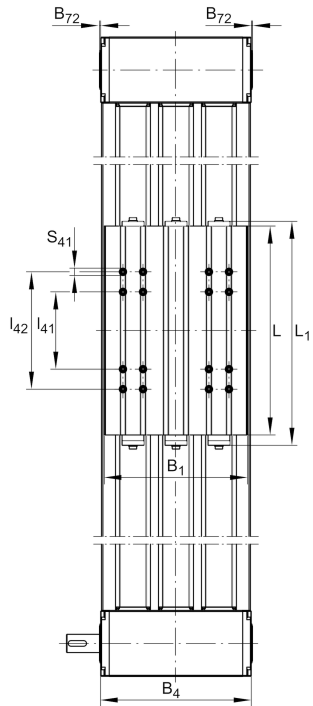
/ Support Rail Design

Medidas principales y datos de rendimiento

B 2	260 mm	Total Width
H	145 mm	Total Height
L	365 mm	Length of Carriage

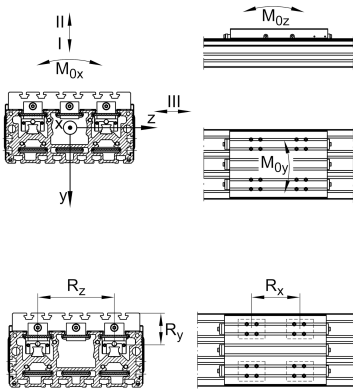
**Medidas de montaje**

B 1	250 mm	Width of Carriage
D 86	95 mm	
Tol D 86	G7	Tolerance
D 87	115 mm	
d 85	32 mm	Tolerance h7
d 86	76 mm	
G 87	M8	
h 13	25 mm	
h 14	50 mm	
J B43	35 mm	
j B8	50 mm	
L 2 max	6.000 mm	Maximum length of Support Rail
L 88	60 mm	
N B85	10 mm	Tolerance P9
N L85	32 mm	Length of Keyway
N T85	5 mm	Depth of Keyway
S 41	13 mm	
t 87 max	15 mm	Depth of Thread
j B9	110 mm	
j B10	210 mm	
J B44	115 mm	
J B45	185 mm	



Medidas

B_{72}	2 mm	
H_2	108 mm	Height of Support Rail
H_4	120,5 mm	Height of Return Unit
h_{85}	63 mm	
L_1	405 mm	
L_4	115,5 mm	Length of Return Unit
L_6	6 mm	Length of Wiper Brushes
l_{41}	135 mm	
l_{42}	205 mm	
B_4	263 mm	Width of Return Unit
T_{86}	4 mm	Depth Fit





Datos técnicos

R _x	170 mm	
R _y	72,8 mm	
R _z	150 mm	
S	85 mm	Safety Distance
m _{LAW}	12,81 kg	
v _{max}	5 m/s	Maximum Speed
a _{max}	30 m/s ²	Maximum Acceleration
I _C	47.200 N	Load direction I: compressive load
I _{C 0}	148.000 N	Load direction I: compressive load
II _C	47.200 N	Load direction II: tensile load
II _{C 0}	148.000 N	Load direction II: tensile load
III _C	47.200 N	Load direction III: lateral load
III _{C 0}	148.000 N	Load direction III: lateral load
M _{0x per}	9.500 Nm	Max. permissible static moment per Carriage
M _{0y per}	9.200 Nm	Max. permissible static moment per Carriage
M _{0z per}	9.200 Nm	Max. permissible static moment per Carriage
I _y	7.069 cm ⁴	Geometrical moments of inertia of Support Rail
I _z	899 cm ⁴	Geometrical moments of inertia of Support Rail

Información adicional

207 Nm	Max. permissible drive torque
4xKWVE25-B-H	Carriage
0,1 mm	Repeat Accuracy ±
230 mm	Feed (mm/rotation)
50AT10	Toothed Belt
0,945 kg/m	Mass of Toothed Belt
5.640 N	Permissible Toothed Belt operating force
35,2 kg*cm ²	Mass moment of inertia of Gears



Rango de temperatura

max	80 °C	Maximum operating Temperatur
min	0 °C	Minimum operating Temperatur