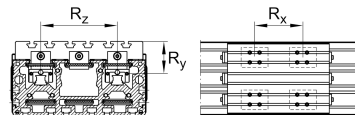
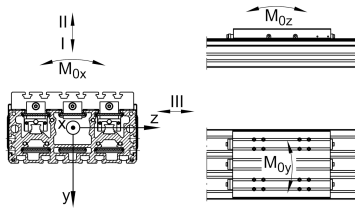
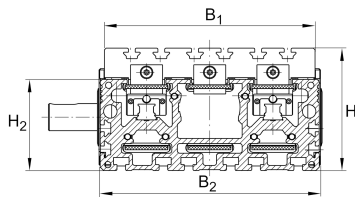


**MDKUVE15-500-3ZR-W2-N-FA517.1** [↗](#)

## Módulo lineal

Tandem actuators with four-row linear recirculating bearing and guideway assembly, monorail guidance system and toothed belt drive. With triple toothed belt, support rail in two segments, with second, driven carriage and and fixing slots in carriage

## Información técnica



## Variante de su producto actual

|                            |       |                         |
|----------------------------|-------|-------------------------|
| Size code                  | 15    |                         |
| Length of carriage         | 500   | 500 mm                  |
| Ejecución                  | /     | Basis                   |
| Drive type                 | (3)ZR | Toothed belt drive      |
| Additional carriage        | W2    | Second, driven carriage |
| Attachment to the carriage | N     | T-Slots                 |

## n.r.

|         |                     |
|---------|---------------------|
| FA517.1 | Support Rail Design |
|---------|---------------------|

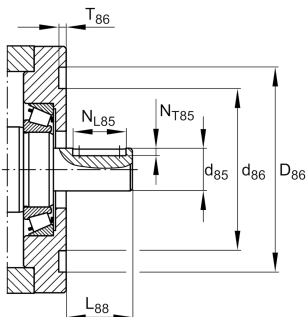
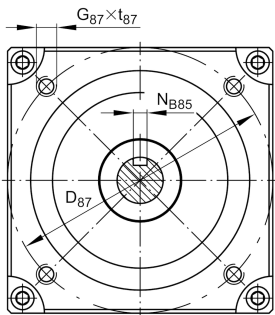
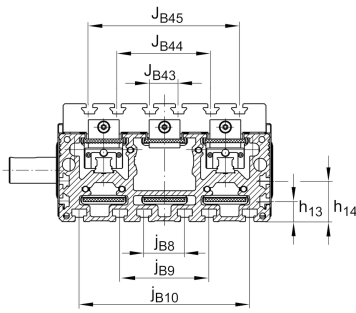
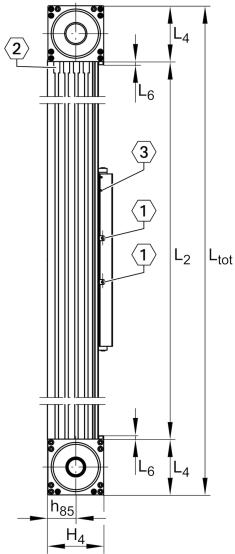
## Medidas principales y datos de rendimiento

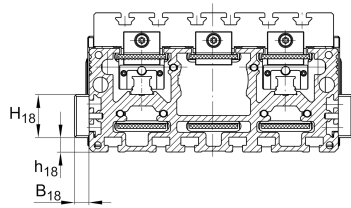
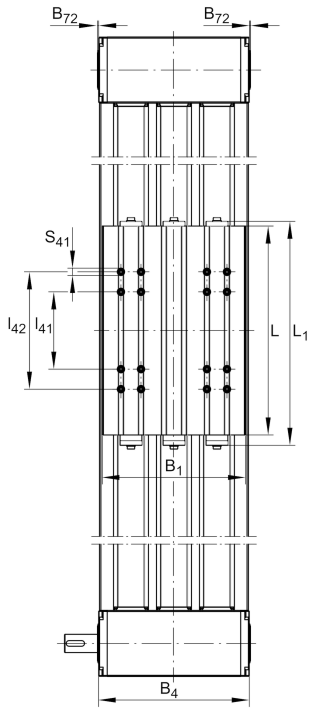
|     |        |                    |
|-----|--------|--------------------|
| B 2 | 180 mm | Total Width        |
| H   | 105 mm | Total Height       |
| L   | 500 mm | Length of Carriage |



## Medidas de montaje

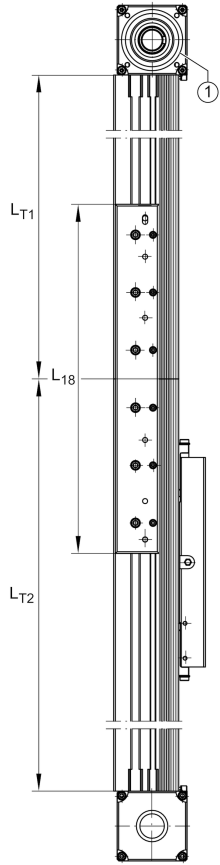
|          |           |                                |
|----------|-----------|--------------------------------|
| B 1      | 176 mm    | Width of Carriage              |
| D 86     | 70 mm     |                                |
| Tol D 86 | G7        | Tolerance                      |
| D 87     | 80 mm     |                                |
| d 85     | 25 mm     | Tolerance h7                   |
| d 86     | 61 mm     |                                |
| G 87     | M6        |                                |
| h 13     | 25 mm     |                                |
| h 14     | 45 mm     |                                |
| h 18     | 2 mm      |                                |
| J B43    | 80 mm     |                                |
| j B8     | 70 mm     |                                |
| L 2 max  | 12.000 mm | Maximum length of Support Rail |
| L 88     | 45 mm     |                                |
| N B85    | 8 mm      | Tolerance P9                   |
| N L85    | 25 mm     | Length of Keyway               |
| N T85    | 4 mm      | Depth of Keyway                |
| S 41     | 10 mm     |                                |
| t 87 max | 12 mm     | Depth of Thread                |
| j B9     | 140 mm    |                                |
| J B44    | 130 mm    |                                |





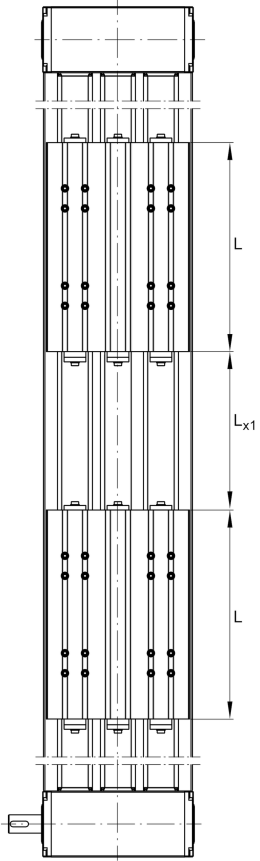
### Medidas

|          |         |                         |
|----------|---------|-------------------------|
| B 18     | 15 mm   |                         |
| B 72     | 2 mm    |                         |
| H 2      | 74,5 mm | Height of Support Rail  |
| H 4      | 84 mm   | Height of Return Unit   |
| H 18     | 50 mm   |                         |
| h 85     | 44 mm   |                         |
| L 1      | 542 mm  |                         |
| L 4      | 80 mm   | Length of Return Unit   |
| L 6      | 6 mm    | Length of Wiper Brushes |
| L 18     | 400 mm  |                         |
| l 41     | 314 mm  |                         |
| l 42     | 366 mm  |                         |
| L x1 min | 100 mm  |                         |
| B 4      | 195 mm  | Width of Return Unit    |
| T 86     | 2,3 mm  | Depth Fit               |



### Datos técnicos

|                    |                       |  |
|--------------------|-----------------------|--|
| $R_x$              | 340 mm                |  |
| $R_y$              | 56,5 mm               |  |
| $R_z$              | 104 mm                |  |
| S                  | 85 mm                 | Safety Distance                                |
| $m_{LAW}$          | 7,82 kg               |  |
| $m_3$              | 7,82 kg               | Mass of additional Carriage                    |
| $v_{max}$          | 5 m/s                 | Maximum Speed                                  |
| $a_{max}$          | 30 m/s <sup>2</sup>   | Maximum Acceleration                           |
| I C                | 19.000 N              | Load direction I: compressive load             |
| I C <sub>0</sub>   | 58.000 N              | Load direction I: compressive load             |
| II C               | 19.000 N              | Load direction II: tensile load                |
| II C <sub>0</sub>  | 58.000 N              | Load direction II: tensile load                |
| III C              | 19.000 N              | Load direction III: lateral load               |
| III C <sub>0</sub> | 58.000 N              | Load direction III: lateral load               |
| $M_{0x\ per}$      | 2.550 Nm              | Max. permissible static moment per Carriage    |
| $M_{0y\ per}$      | 4.200 Nm              | Max. permissible static moment per Carriage    |
| $M_{0z\ per}$      | 4.800 Nm              | Max. permissible static moment per Carriage    |
| $I_y$              | 1.636 cm <sup>4</sup> | Geometrical moments of inertia of Support Rail |
| $I_z$              | 200 cm <sup>4</sup>   | Geometrical moments of inertia of Support Rail |



### Información adicional

|                        |  |
|------------------------|--|
| 115 Nm                 | Max. permissible drive torque            |
| 4xKWVE15-B-H           | Carriage                                 |
| 0,1 mm                 | Repeat Accuracy ±                        |
| 160 mm                 | Feed (mm/rotation)                       |
| 40AT10                 | Toothed Belt                             |
| 0,75 kg/m              | Mass of Toothed Belt                     |
| 4.500 N                | Permissible Toothed Belt operating force |
| 8,2 kg*cm <sup>2</sup> | Mass moment of inertia of Gears          |

### Rango de temperatura

|     |       |                              |
|-----|-------|------------------------------|
| max | 80 °C | Maximum operating Temperatur |
| min | 0 °C  | Minimum operating Temperatur |