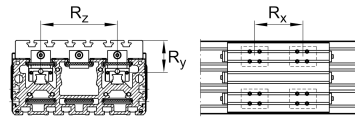
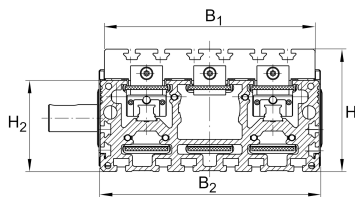


**MDKUVE15-500-3ZR-N-FA517.2** [↗](#)

## Módulo lineal

Tandem actuators with four-row linear recirculating bearing and guideway assembly, monorail guidance system and toothed belt drive. With triple toothed belt, support rail in three segments and fixing slots in carriage

## Información técnica



## Variante de su producto actual

Size code	15	
Length of carriage	500	500 mm
Ejecución	/	Basis
Drive type	(3)ZR	Toothed belt drive
Additional carriage	/	No additional carriage
Attachment to the carriage	N	T-Slots

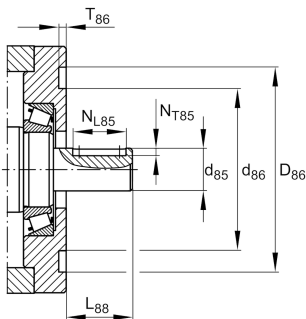
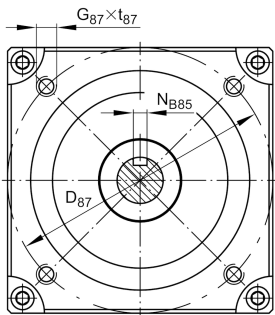
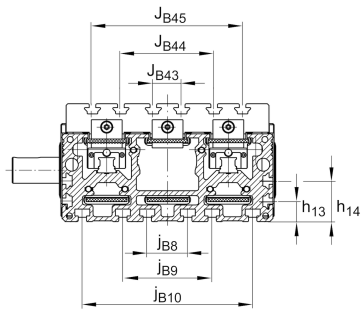
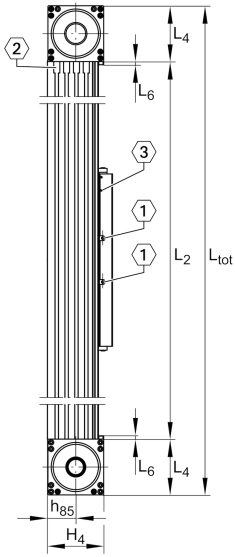
## n.r.

FA517.2

Support Rail Design

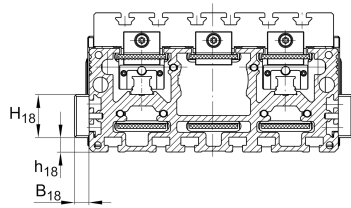
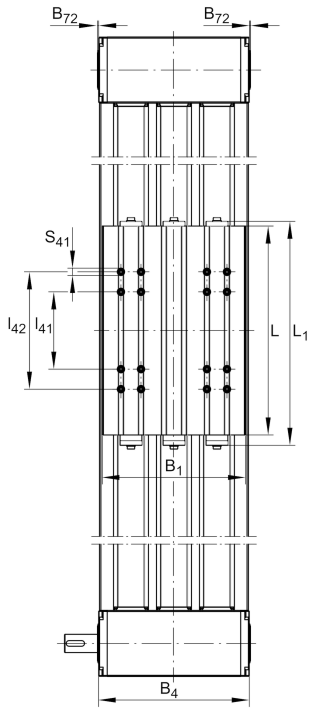
## Medidas principales y datos de rendimiento

B <sub>2</sub>	180 mm	Total Width
H	105 mm	Total Height
L	500 mm	Length of Carriage



**Medidas de montaje**

B 1	176 mm	Width of Carriage
D 86	70 mm	
Tol D 86	G7	Tolerance
D 87	80 mm	
d 85	25 mm	Tolerance h7
d 86	61 mm	
G 87	M6	
h 13	25 mm	
h 14	45 mm	
h 18	2 mm	
J B43	80 mm	
j B8	70 mm	
L 2 max	18.000 mm	Maximum length of Support Rail
L 88	45 mm	
N B85	8 mm	Tolerance P9
N L85	25 mm	Length of Keyway
N T85	4 mm	Depth of Keyway
S 41	10 mm	
t 87 max	12 mm	Depth of Thread
j B9	140 mm	
J B44	130 mm	



### Medidas

B 18	15 mm	
B 72	2 mm	
H 2	74,5 mm	Height of Support Rail
H 4	84 mm	Height of Return Unit
H 18	50 mm	
h 85	44 mm	
L 1	542 mm	
L 4	80 mm	Length of Return Unit
L 6	6 mm	Length of Wiper Brushes
L 18	400 mm	
l 41	314 mm	
l 42	366 mm	
B 4	195 mm	Width of Return Unit
T 86	2,3 mm	Depth Fit

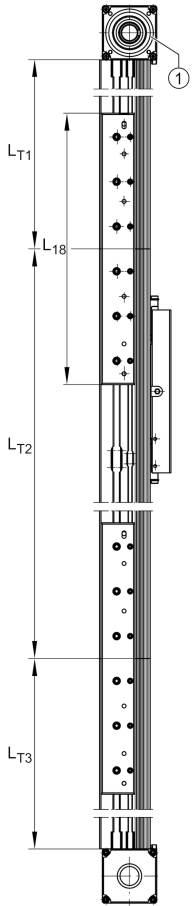
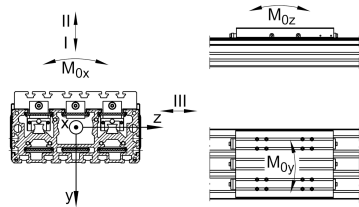


### Datos técnicos

$R_x$	340 mm	
$R_y$	56,5 mm	
$R_z$	104 mm	
S	85 mm	Safety Distance
$m_{LAW}$	7,82 kg	
$v_{max}$	5 m/s	Maximum Speed
$a_{max}$	30 m/s <sup>2</sup>	Maximum Acceleration
I C	19.000 N	Load direction I: compressive load
I C <sub>0</sub>	58.000 N	Load direction I: compressive load
II C	19.000 N	Load direction II: tensile load
II C <sub>0</sub>	58.000 N	Load direction II: tensile load
III C	19.000 N	Load direction III: lateral load
III C <sub>0</sub>	58.000 N	Load direction III: lateral load
$M_{0x \text{ per}}$	2.550 Nm	Max. permissible static moment per Carriage
$M_{0y \text{ per}}$	4.200 Nm	Max. permissible static moment per Carriage
$M_{0z \text{ per}}$	4.800 Nm	Max. permissible static moment per Carriage
$I_y$	1.636 cm <sup>4</sup>	Geometrical moments of inertia of Support Rail
$I_z$	200 cm <sup>4</sup>	Geometrical moments of inertia of Support Rail

### Información adicional

115 Nm	Max. permissible drive torque
4xKWVE15-B-H	Carriage
0,1 mm	Repeat Accuracy ±
160 mm	Feed (mm/rotation)
40AT10	Toothed Belt
0,75 kg/m	Mass of Toothed Belt
4.500 N	Permissible Toothed Belt operating force
8,2 kg*cm <sup>2</sup>	Mass moment of inertia of Gears





### Rango de temperatura

---

max	80 °C	Maximum operating Temperatur
min	0 °C	Minimum operating Temperatur