

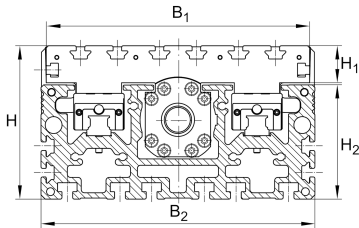


### MDKUBE15-240-KGT/20-F-N [↗](#)

#### Módulo lineal

Tandem actuators with four-row linear recirculating bearing and guideway assembly, monorail guidance system and ball screw drive. Basic design, one driven carriage with single nut and fixing slots in carriage

## Información técnica

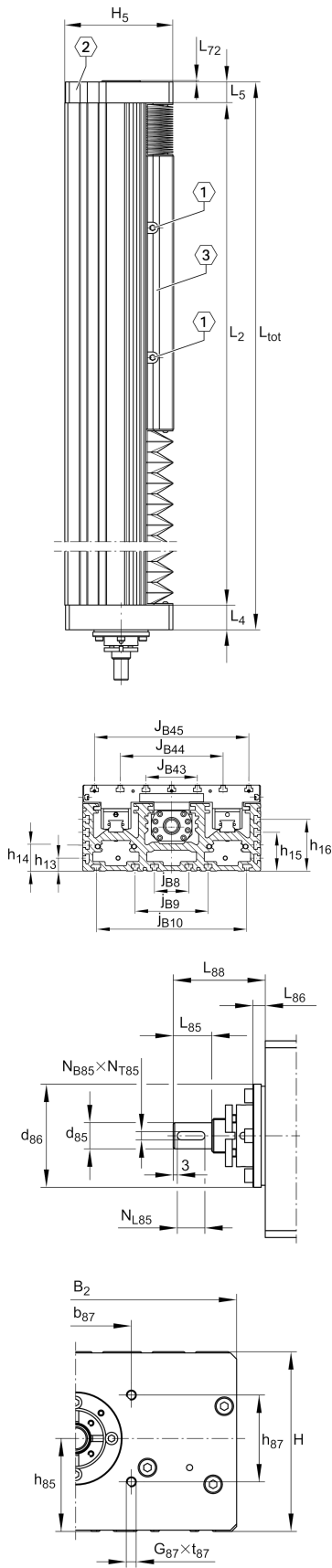


### Variante de su producto actual

Size code	15	
Length of carriage	240	240 mm
Drive type	KGT	Ball screw drive
Spindle pitch	20	20 mm
Spindle nut design	F	Flange nut
Additional carriage	/	No additional carriage
Spindle support	/	None
Attachment to the carriage	N	T-Slots

### Medidas principales y datos de rendimiento

L	240 mm	Length of Carriage
H	105 mm	Total Height
B <sub>2</sub>	180 mm	Total Width



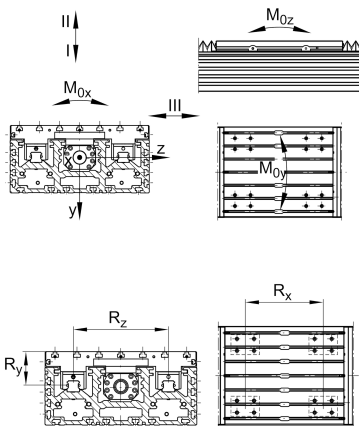
**Medidas de montaje**

B 1	176 mm	Width of Carriage
b 87	68 mm	
d 85	13 mm	
Tol d 85	h6	Tolerance
d 86	60 mm	
Tol d 86	h7	Tolerance
G 87	M6	Thread
h 13	25 mm	
h 14	45 mm	
h 85	60,5 mm	
h 87	46 mm	
J B43	80 mm	
J B44	130 mm	
j B8	70 mm	
j B9	140 mm	
L 2 max	5.850 mm	Maximum length of Support Rail
L 85	23 mm	
L 86	8 mm	
L 88	42 mm	
N B43	14 mm	
N B85	5 mm	Tolerance P9
N L43	20 mm	
N L85	18 mm	Length of Keyway
N T85	3,5 mm	Depth of Keyway
t 87	15 mm	Depth of Thread



### Medidas

$B_5$	179 mm	Width of End Plates
$F_{BL}$	1,15	Effective length factor of bellow
$H_1$	29,3 mm	Height of Carriage
$H_2$	74,5 mm	Width of Support Rail
$H_5$	103,5 mm	
$L_4$	28 mm	
$L_5$	28 mm	
$I_{41}$	20 mm	
$I_{42}$	26 mm	
$S_{41}$	10 mm	





### Datos técnicos

$R_x$	174 mm	
$R_y$	56,5 mm	
$R_z$	104 mm	
S	20 mm	Safety Distance
$m_{LAW}$	4,61 kg	Mass of Carriage
$v_{max}$	1,16 m/s	Maximum Speed
$a_{max}$	20 m/s <sup>2</sup>	Maximum Acceleration
IC	19.000 N	Load direction I: compressive load
I C <sub>0</sub>	58.000 N	Load direction I: compressive load
II C	19.000 N	Load direction II: tensile load
II C <sub>0</sub>	58.000 N	Load direction II: tensile load
III C	19.000 N	Load direction III: lateral load
III C <sub>0</sub>	58.000 N	Load direction III: lateral load
$M_{0x\ per}$	2.700 Nm	Max. permissible static moment per Carriage
$M_{0y\ per}$	2.950 Nm	Max. permissible static moment per Carriage
$M_{0z\ per}$	3.450 Nm	Max. permissible static moment per Carriage
$I_y$	1.636 cm <sup>4</sup>	Geometrical moments of inertia of Support Rail
$I_z$	200 cm <sup>4</sup>	Geometrical moments of inertia of Support Rail
$C_{a\ MU}$	11.600 N	Load capacity spindle nut dyn
$C_{0a\ MU}$	18.400 N	Load capacity spindle nut stat
$C_{a\ L}$	17.900 N	Load capacity fixed Spindle bearing dyn
$C_{0a\ L}$	28.000 N	Load capacity fixed Spindle bearing stat
$d_0$	20 mm	Spindle Diameter
P	20 mm	Spindle Pitch
$I_s$	0,883 kg*cm <sup>2</sup>	Mass moment of inertia of threaded Spindle



Ver detalles del producto en Medias

11.11.2025, 18:03:46 UTC

**SCHAEFFLER**

### Información adicional

---

ZKLF1560-2RS-PE Rolling Bearings

F Drive System

4xKWVE15-B-H Carriage