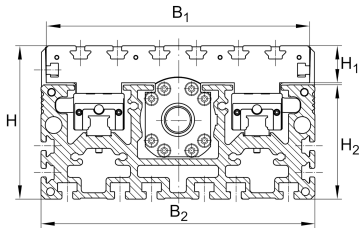


MDKUBE15-240-KGT/10-FM-N [↗](#)

Módulo lineal

Tandem actuators with four-row linear recirculating bearing and guideway assembly, monorail guidance system and ball screw drive. Basic design, one driven carriage with double nut and fixing slots in carriage

Información técnica

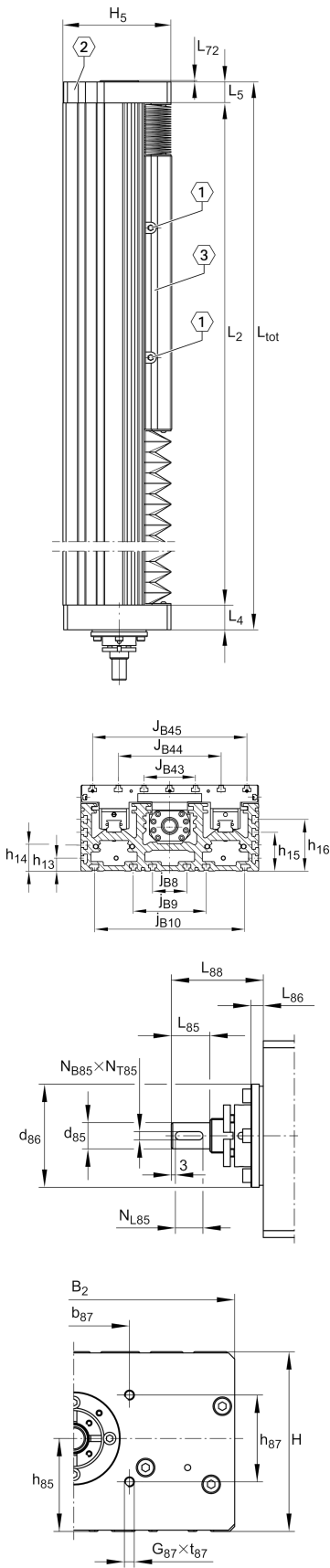


Variante de su producto actual

Size code	15	
Length of carriage	240	240 mm
Drive type	KGT	Ball screw drive
Spindle pitch	10	10 mm
Spindle nut design	FM	Flange nut & cylinder nut
Additional carriage	/	No additional carriage
Spindle support	/	None
Attachment to the carriage	N	T-Slots

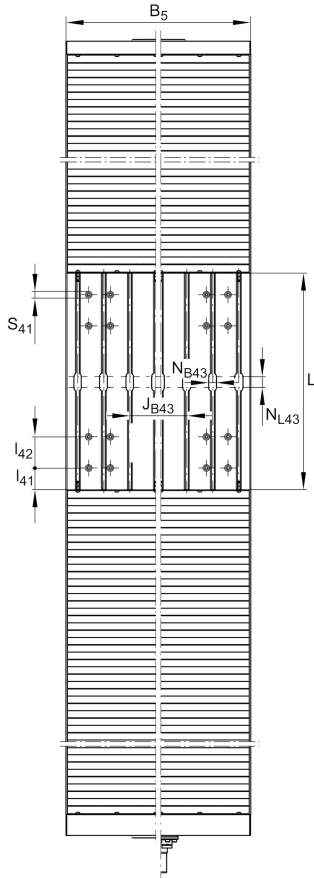
Medidas principales y datos de rendimiento

L	240 mm	Length of Carriage
H	105 mm	Total Height
B ₂	180 mm	Total Width



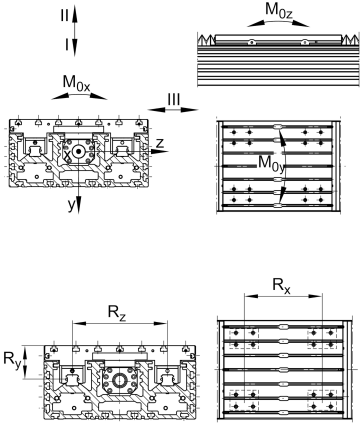
Medidas de montaje

B 1	176 mm	Width of Carriage
b 87	68 mm	
d 85	13 mm	
Tol d 85	h6	Tolerance
d 86	60 mm	
Tol d 86	h7	Tolerance
G 87	M6	Thread
h 13	25 mm	
h 14	45 mm	
h 85	60,5 mm	
h 87	46 mm	
J B43	80 mm	
J B44	130 mm	
j B8	70 mm	
j B9	140 mm	
L 2 max	5.850 mm	Maximum length of Support Rail
L 85	23 mm	
L 86	8 mm	
L 88	42 mm	
N B43	14 mm	
N B85	5 mm	Tolerance P9
N L43	20 mm	
N L85	18 mm	Length of Keyway
N T85	3,5 mm	Depth of Keyway
t 87	15 mm	Depth of Thread



Medidas

B ₅	179 mm	Width of End Plates
F _{BL}	1,15	Effective length factor of bellow
H ₁	29,3 mm	Height of Carriage
H ₂	74,5 mm	Width of Support Rail
H ₅	103,5 mm	
L ₄	28 mm	
L ₅	28 mm	
I ₄₁	20 mm	
I ₄₂	26 mm	
S ₄₁	10 mm	





Datos técnicos

R_x	174 mm	
R_y	56,5 mm	
R_z	104 mm	
S	10 mm	Safety Distance
m_{LAW}	4,61 kg	Mass of Carriage
v_{max}	0,5 m/s	Maximum Speed
a_{max}	10 m/s ²	Maximum Acceleration
IC	19.000 N	Load direction I: compressive load
I C ₀	58.000 N	Load direction I: compressive load
II C	19.000 N	Load direction II: tensile load
II C ₀	58.000 N	Load direction II: tensile load
III C	19.000 N	Load direction III: lateral load
III C ₀	58.000 N	Load direction III: lateral load
$M_{0x\ per}$	2.700 Nm	Max. permissible static moment per Carriage
$M_{0y\ per}$	2.950 Nm	Max. permissible static moment per Carriage
$M_{0z\ per}$	3.450 Nm	Max. permissible static moment per Carriage
I_y	1.636 cm ⁴	Geometrical moments of inertia of Support Rail
I_z	200 cm ⁴	Geometrical moments of inertia of Support Rail
$C_{a\ MU}$	12.700 N	Load capacity spindle nut dyn
$C_{0a\ MU}$	22.100 N	Load capacity spindle nut stat
$C_{a\ L}$	17.900 N	Load capacity fixed Spindle bearing dyn
$C_{0a\ L}$	28.000 N	Load capacity fixed Spindle bearing stat
d_0	20 mm	Spindle Diameter
P	10 mm	Spindle Pitch
I_s	0,846 kg*cm ²	Mass moment of inertia of threaded Spindle



Ver detalles del producto en Medias

11.11.2025, 18:02:54 UTC

SCHAEFFLER

Información adicional

ZKLF1560-2RS-PE Rolling Bearings

FM Drive System

4xKWVE15-B-H Carriage