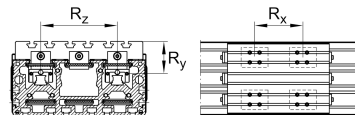
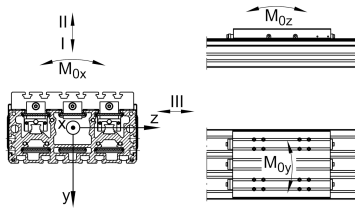
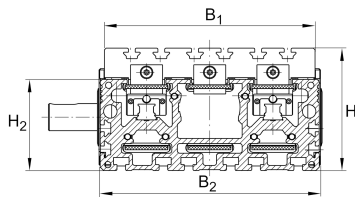


**MDKUVE15-240-3ZR-W2-N-FA517.2** [↗](#)

Módulo lineal

Tandem actuators with four-row linear recirculating bearing and guideway assembly, monorail guidance system and toothed belt drive. With triple toothed belt, support rail in three segments, with second, driven carriage and and fixing slots in carriage

Información técnica



Variante de su producto actual

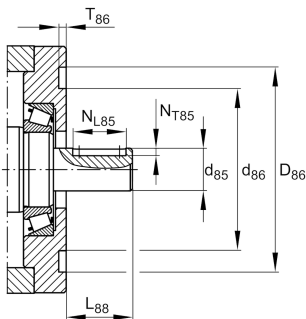
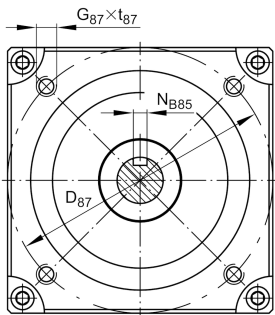
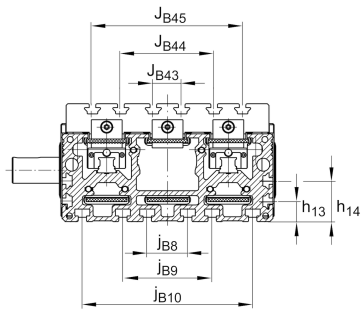
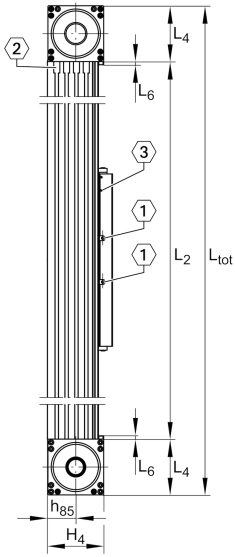
Size code	15	
Length of carriage	240	240 mm
Ejecución	/	Basis
Drive type	(3)ZR	Toothed belt drive
Additional carriage	W2	Second, driven carriage
Attachment to the carriage	N	T-Slots

n.r.

FA517.2	Support Rail Design
---------	---------------------

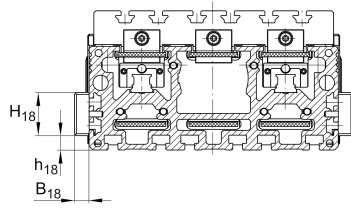
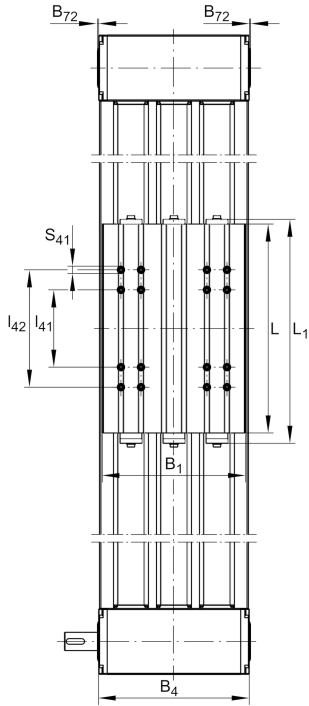
Medidas principales y datos de rendimiento

B 2	180 mm	Total Width
H	105 mm	Total Height
L	240 mm	Length of Carriage



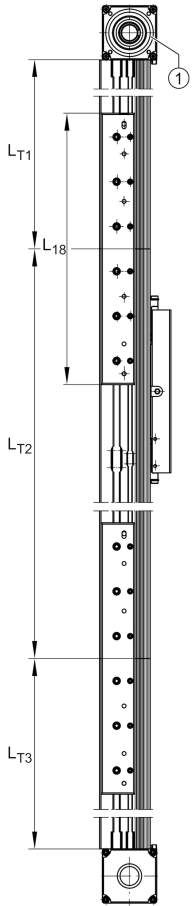
Medidas de montaje

B 1	176 mm	Width of Carriage
D 86	70 mm	
Tol D 86	G7	Tolerance
D 87	80 mm	
d 85	25 mm	Tolerance h7
d 86	61 mm	
G 87	M6	
h 13	25 mm	
h 14	45 mm	
h 18	2 mm	
J B43	80 mm	
j B8	70 mm	
L 2 max	18.000 mm	Maximum length of Support Rail
L 88	45 mm	
N B85	8 mm	Tolerance P9
N L85	25 mm	Length of Keyway
N T85	4 mm	Depth of Keyway
S 41	10 mm	
t 87 max	12 mm	Depth of Thread
j B9	140 mm	
J B44	130 mm	

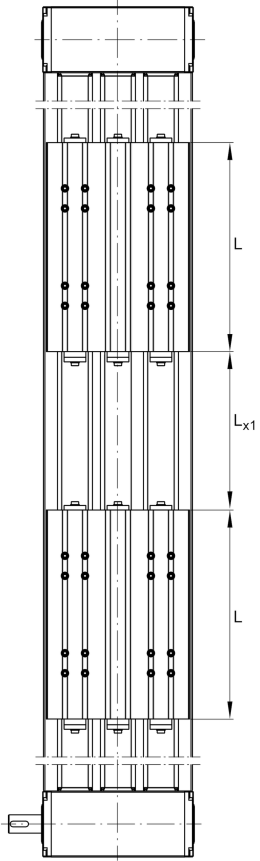


Medidas

B 18	15 mm	
B 72	2 mm	
H 2	74,5 mm	Height of Support Rail
H 4	84 mm	Height of Return Unit
H 18	50 mm	
h 85	44 mm	
L 1	282 mm	
L 4	80 mm	Length of Return Unit
L 6	6 mm	Length of Wiper Brushes
L 18	400 mm	
l 41	54 mm	
l 42	106 mm	
L x1 min	100 mm	
B 4	195 mm	Width of Return Unit
T 86	2,3 mm	Depth Fit

**Datos técnicos**

R_x	80 mm	
R_y	56,5 mm	
R_z	104 mm	
S	85 mm	Safety Distance
m_{LAW}	4,11 kg	
m_3	4,11 kg	Mass of additional Carriage
v_{max}	5 m/s	Maximum Speed
a_{max}	30 m/s ²	Maximum Acceleration
I C	19.000 N	Load direction I: compressive load
I C ₀	58.000 N	Load direction I: compressive load
II C	19.000 N	Load direction II: tensile load
II C ₀	58.000 N	Load direction II: tensile load
III C	19.000 N	Load direction III: lateral load
III C ₀	58.000 N	Load direction III: lateral load
$M_{0x\ per}$	2.550 Nm	Max. permissible static moment per Carriage
$M_{0y\ per}$	1.050 Nm	Max. permissible static moment per Carriage
$M_{0z\ per}$	1.230 Nm	Max. permissible static moment per Carriage
I_y	1.636 cm ⁴	Geometrical moments of inertia of Support Rail
I_z	200 cm ⁴	Geometrical moments of inertia of Support Rail



Información adicional

115 Nm	Max. permissible drive torque
4xKWVE15-B-H	Carriage
0,1 mm	Repeat Accuracy ±
160 mm	Feed (mm/rotation)
40AT10	Toothed Belt
0,75 kg/m	Mass of Toothed Belt
4.500 N	Permissible Toothed Belt operating force
8,2 kg*cm ²	Mass moment of inertia of Gears

Rango de temperatura

max	80 °C	Maximum operating Temperatur
min	0 °C	Minimum operating Temperatur