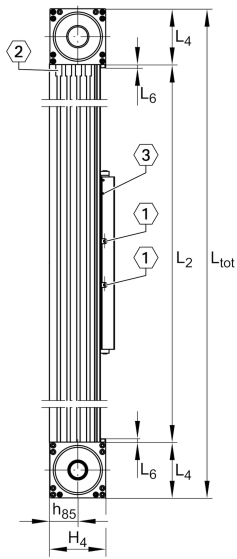
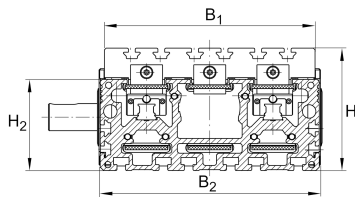


MDKUBE15-240-3ZR-N [↗](#)

Módulo lineal

Tandem actuators with four-row linear recirculating bearing and guideway assembly, monorail guidance system and toothed belt drive. Basic design with triple toothed belt, one driven carriage with fixing slots in carriage

Información técnica



Variante de su producto actual

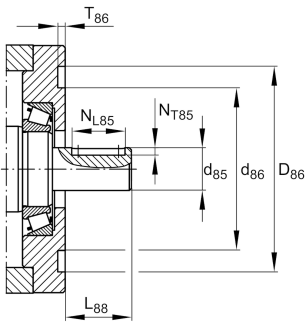
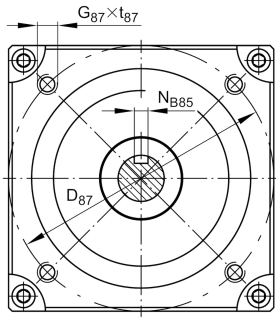
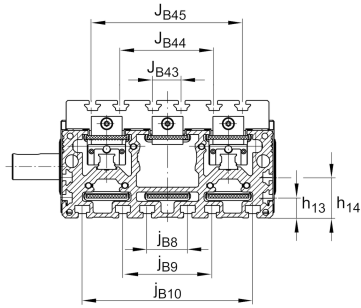
Size code	15	
Length of carriage	240	240 mm
Ejecución	/	Basis
Drive type	(3)ZR	Toothed belt drive
Additional carriage	/	No additional carriage
Attachment to the carriage	N	T-Slots

n.r.

/	Support Rail Design
---	---------------------

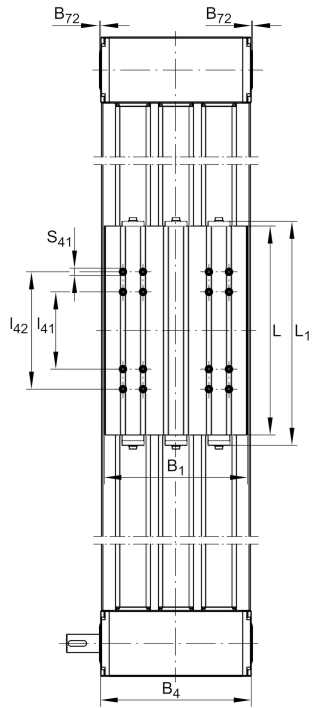
Medidas principales y datos de rendimiento

B 2	180 mm	Total Width
H	105 mm	Total Height
L	240 mm	Length of Carriage



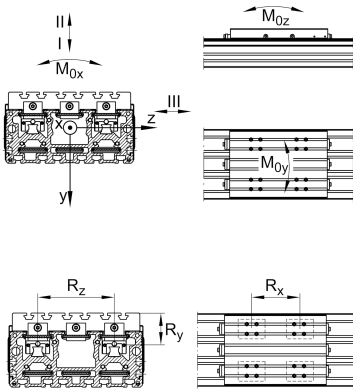
Medidas de montaje

B ₁	176 mm	Width of Carriage
D ₈₆	70 mm	
Tol D ₈₆	G7	Tolerance
D ₈₇	80 mm	
d ₈₅	25 mm	Tolerance h7
d ₈₆	61 mm	
G ₈₇	M6	
h ₁₃	25 mm	
h ₁₄	45 mm	
J _{B43}	80 mm	
j _{B8}	70 mm	
L _{2 max}	6.000 mm	Maximum length of Support Rail
L ₈₈	45 mm	
N _{B85}	8 mm	Tolerance P9
N _{L85}	25 mm	Length of Keyway
N _{T85}	4 mm	Depth of Keyway
S ₄₁	10 mm	
t _{87 max}	12 mm	Depth of Thread
j _{B9}	140 mm	
J _{B44}	130 mm	



Medidas

B 72	2 mm	
H 2	74,5 mm	Height of Support Rail
H 4	84 mm	Height of Return Unit
h 85	44 mm	
L 1	282 mm	
L 4	80 mm	Length of Return Unit
L 6	6 mm	Length of Wiper Brushes
l 41	54 mm	
l 42	106 mm	
B 4	195 mm	Width of Return Unit
T 86	2,3 mm	Depth Fit





Datos técnicos

R _x	80 mm	
R _y	56,5 mm	
R _z	104 mm	
S	85 mm	Safety Distance
m _{LAW}	4,11 kg	
v _{max}	5 m/s	Maximum Speed
a _{max}	30 m/s ²	Maximum Acceleration
I _C	19.000 N	Load direction I: compressive load
I _{C0}	58.000 N	Load direction I: compressive load
II _C	19.000 N	Load direction II: tensile load
II _{C0}	58.000 N	Load direction II: tensile load
III _C	19.000 N	Load direction III: lateral load
III _{C0}	58.000 N	Load direction III: lateral load
M _{0x per}	2.550 Nm	Max. permissible static moment per Carriage
M _{0y per}	1.050 Nm	Max. permissible static moment per Carriage
M _{0z per}	1.230 Nm	Max. permissible static moment per Carriage
I _y	1.636 cm ⁴	Geometrical moments of inertia of Support Rail
I _z	200 cm ⁴	Geometrical moments of inertia of Support Rail

Información adicional

115 Nm	Max. permissible drive torque
4xKWVE15-B-H	Carriage
0,1 mm	Repeat Accuracy ±
160 mm	Feed (mm/rotation)
40AT10	Toothed Belt
0,75 kg/m	Mass of Toothed Belt
4.500 N	Permissible Toothed Belt operating force
8,2 kg*cm ²	Mass moment of inertia of Gears



Rango de temperatura

max	80 °C	Maximum operating Temperatur
min	0 °C	Minimum operating Temperatur