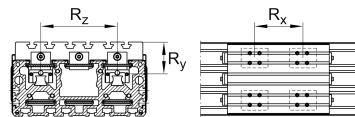
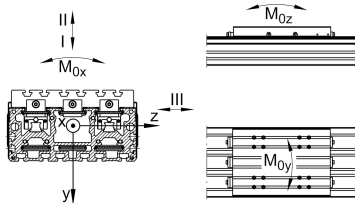
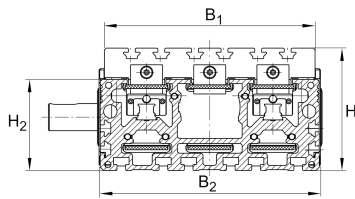


MDKUSE25-500-3ZR-W2-N-FA517.1 [↗](#)

Módulo lineal

Información técnica



Variante de su producto actual

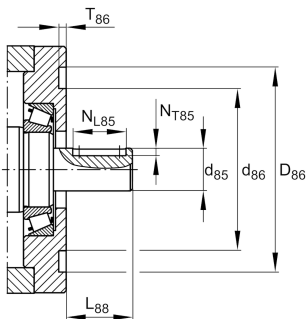
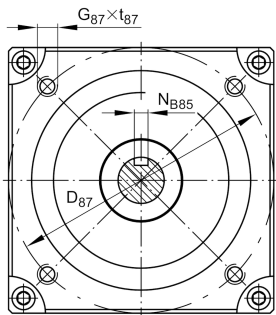
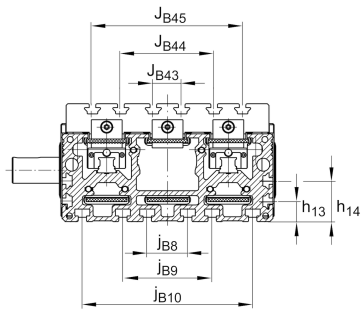
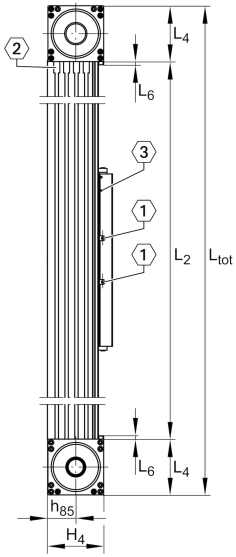
| | | |
|----------------------------|-------|-------------------------|
| Size code | 25 | |
| Length of carriage | 500 | 500 mm |
| Ejecución | / | Basis |
| Drive type | (3)ZR | Toothed belt drive |
| Additional carriage | W2 | Second, driven carriage |
| Attachment to the carriage | N | T-Slots |

n.r.

| | |
|---------|---------------------|
| FA517.1 | Support Rail Design |
|---------|---------------------|

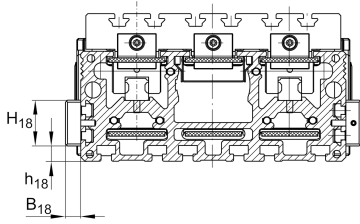
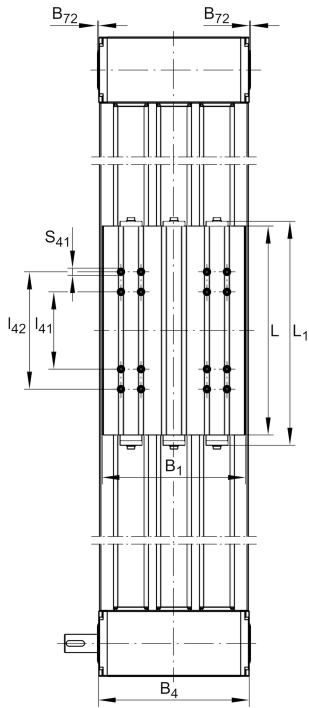
Medidas principales y datos de rendimiento

| | | |
|-----|--------|--------------------|
| B 2 | 260 mm | Total Width |
| H | 145 mm | Total Height |
| L | 500 mm | Length of Carriage |



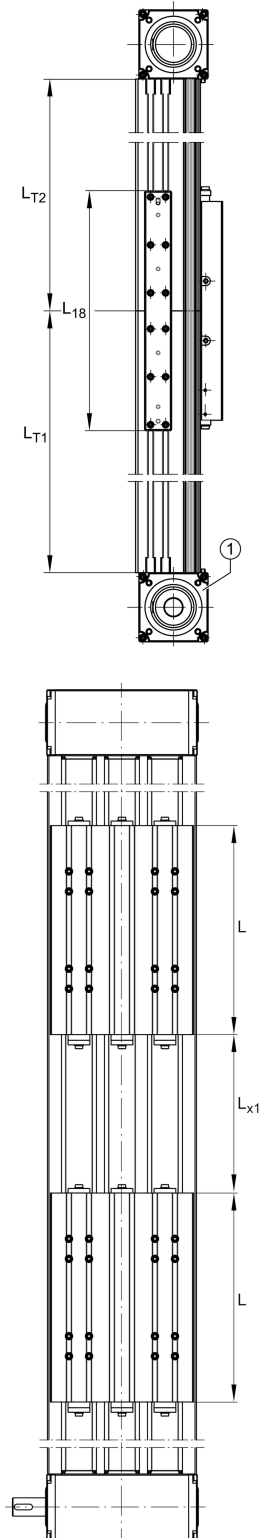
Medidas de montaje

| | | |
|----------|-----------|--------------------------------|
| B 1 | 250 mm | Width of Carriage |
| D 86 | 95 mm | |
| Tol D 86 | G7 | Tolerance |
| D 87 | 115 mm | |
| d 85 | 32 mm | Tolerance h7 |
| d 86 | 76 mm | |
| G 87 | M8 | |
| h 13 | 25 mm | |
| h 14 | 50 mm | |
| h 18 | 15 mm | |
| J B43 | 35 mm | |
| j B8 | 50 mm | |
| L 2 max | 12.000 mm | Maximum length of Support Rail |
| L 88 | 60 mm | |
| N B85 | 10 mm | Tolerance P9 |
| N L85 | 32 mm | Length of Keyway |
| N T85 | 5 mm | Depth of Keyway |
| S 41 | 13 mm | |
| t 87 max | 15 mm | Depth of Thread |
| j B9 | 110 mm | |
| j B10 | 210 mm | |
| J B44 | 115 mm | |
| J B45 | 185 mm | |



Medidas

| | | |
|----------|----------|-------------------------|
| B 18 | 15 mm | |
| B 72 | 2 mm | |
| H 2 | 108 mm | Height of Support Rail |
| H 4 | 120,5 mm | Height of Return Unit |
| H 18 | 45 mm | |
| h 85 | 63 mm | |
| L 1 | 540 mm | |
| L 4 | 115,5 mm | Length of Return Unit |
| L 6 | 6 mm | Length of Wiper Brushes |
| L 18 | 400 mm | |
| l 41 | 240 mm | |
| l 42 | 340 mm | |
| L x1 min | 100 mm | |
| B 4 | 263 mm | Width of Return Unit |
| T 86 | 4 mm | Depth Fit |



Datos técnicos

| | | |
|--------------------|-----------------------|--|
| R_x | 305 mm | |
| R_y | 69,3 mm | |
| R_z | 150 mm | |
| S | 85 mm | Safety Distance |
| m_{LAW} | 15,84 kg | |
| m_3 | 15,84 kg | Mass of additional Carriage |
| v_{max} | 5 m/s | Maximum Speed |
| a_{max} | 30 m/s ² | Maximum Acceleration |
| I C | 100.200 N | Load direction I: compressive load |
| I C ₀ | 324.000 N | Load direction I: compressive load |
| II C | 68.600 N | Load direction II: tensile load |
| II C ₀ | 180.000 N | Load direction II: tensile load |
| III C | 73.800 N | Load direction III: lateral load |
| III C ₀ | 188.000 N | Load direction III: lateral load |
| $M_{0x\ per}$ | 13.500 Nm | Max. permissible static moment per Carriage |
| $M_{0y\ per}$ | 18.900 Nm | Max. permissible static moment per Carriage |
| $M_{0z\ per}$ | 18.000 Nm | Max. permissible static moment per Carriage |
| I_y | 7.069 cm ⁴ | Geometrical moments of inertia of Support Rail |
| I_z | 899 cm ⁴ | Geometrical moments of inertia of Support Rail |



Información adicional

| | |
|-------------------------|--|
| 207 Nm | Max. permissible drive torque |
| 4xKWSE25-H | Carriage |
| 0,1 mm | Repeat Accuracy ± |
| 230 mm | Feed (mm/rotation) |
| 50AT10 | Toothed Belt |
| 0,945 kg/m | Mass of Toothed Belt |
| 5.640 N | Permissible Toothed Belt operating force |
| 35,2 kg*cm ² | Mass moment of inertia of Gears |

Rango de temperatura

| | | |
|-----|-------|------------------------------|
| max | 80 °C | Maximum operating Temperatur |
| min | 0 °C | Minimum operating Temperatur |