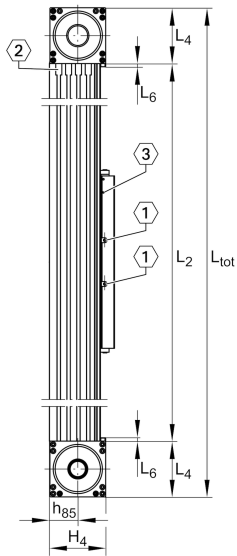
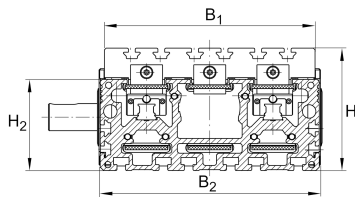
**MDKUSE25-500-3ZR-W2-N** [↗](#)

Módulo lineal

Tandem actuators with six-row linear recirculating bearing and guideway assembly, monorail guidance system and toothed belt drive. With second, driven carriage and fixing slots in carriage

Información técnica



Variante de su producto actual

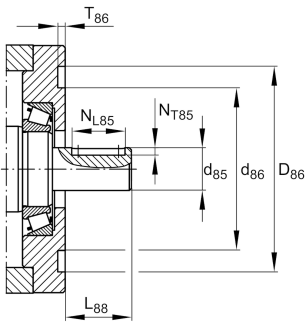
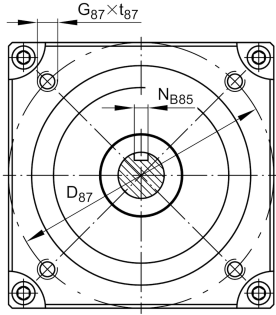
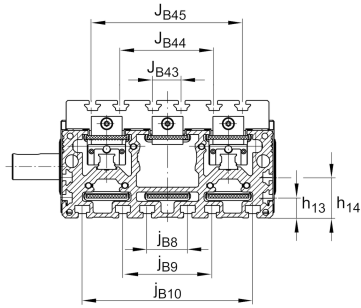
Size code	25	
Length of carriage	500	500 mm
Ejecución	/	Basis
Drive type	(3)ZR	Toothed belt drive
Additional carriage	W2	Second, driven carriage
Attachment to the carriage	N	T-Slots

n.r.

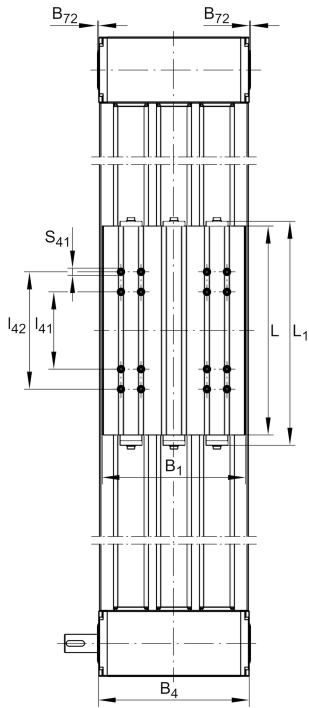
/ Support Rail Design

Medidas principales y datos de rendimiento

B 2	260 mm	Total Width
H	145 mm	Total Height
L	500 mm	Length of Carriage

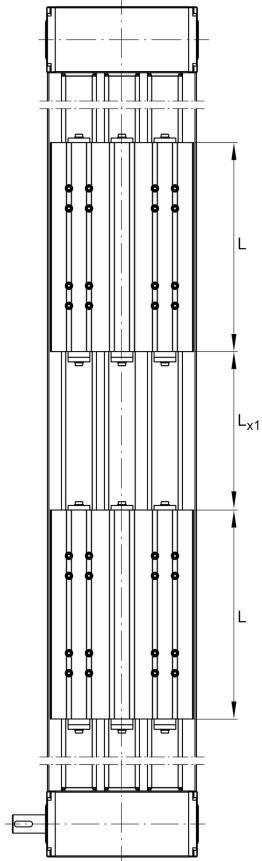
**Medidas de montaje**

B ₁	250 mm	Width of Carriage
D ₈₆	95 mm	
Tol D ₈₆	G7	Tolerance
D ₈₇	115 mm	
d ₈₅	32 mm	Tolerance h7
d ₈₆	76 mm	
G ₈₇	M8	
h ₁₃	25 mm	
h ₁₄	50 mm	
J _{B43}	35 mm	
j _{B8}	50 mm	
L _{2 max}	6.000 mm	Maximum length of Support Rail
L ₈₈	60 mm	
N _{B85}	10 mm	Tolerance P9
N _{L85}	32 mm	Length of Keyway
N _{T85}	5 mm	Depth of Keyway
S ₄₁	13 mm	
t _{87 max}	15 mm	Depth of Thread
j _{B9}	110 mm	
j _{B10}	210 mm	
J _{B44}	115 mm	
J _{B45}	185 mm	

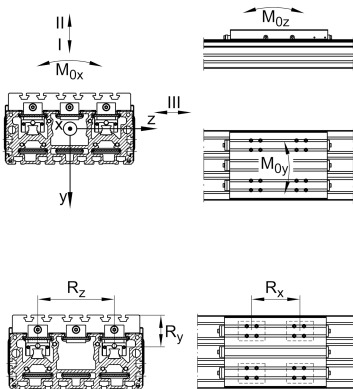


Medidas

B 72	2 mm	
H 2	108 mm	Height of Support Rail
H 4	120,5 mm	Height of Return Unit
h 85	63 mm	
L 1	540 mm	
L 4	115,5 mm	Length of Return Unit
L 6	6 mm	Length of Wiper Brushes
l 41	240 mm	
l 42	340 mm	
L x1 min	100 mm	
B 4	263 mm	Width of Return Unit
T 86	4 mm	Depth Fit

**Datos técnicos**

R_x	305 mm	
R_y	69,3 mm	
R_z	150 mm	
S	85 mm	Safety Distance
m_{LAW}	15,84 kg	
m_3	15,84 kg	Mass of additional Carriage
v_{max}	5 m/s	Maximum Speed
a_{max}	30 m/s ²	Maximum Acceleration
I C	100.200 N	Load direction I: compressive load
I C ₀	324.000 N	Load direction I: compressive load
II C	68.600 N	Load direction II: tensile load
II C ₀	180.000 N	Load direction II: tensile load
III C	73.800 N	Load direction III: lateral load
III C ₀	188.000 N	Load direction III: lateral load
$M_{0x\ per}$	13.500 Nm	Max. permissible static moment per Carriage
$M_{0y\ per}$	18.900 Nm	Max. permissible static moment per Carriage
$M_{0z\ per}$	18.000 Nm	Max. permissible static moment per Carriage
I_y	7.069 cm ⁴	Geometrical moments of inertia of Support Rail
I_z	899 cm ⁴	Geometrical moments of inertia of Support Rail





Información adicional

207 Nm	Max. permissible drive torque
4xKWSE25-H	Carriage
0,1 mm	Repeat Accuracy ±
230 mm	Feed (mm/rotation)
50AT10	Toothed Belt
0,945 kg/m	Mass of Toothed Belt
5.640 N	Permissible Toothed Belt operating force
35,2 kg*cm ²	Mass moment of inertia of Gears

Rango de temperatura

max	80 °C	Maximum operating Temperatur
min	0 °C	Minimum operating Temperatur