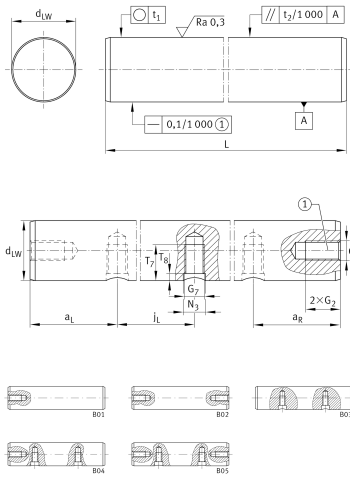




### Información técnica



### Variante de su producto actual

Size code	30	
Tolerance diameter	H6	
Material	CF53	Heat treatable steel (material no.:1.1213)
Recubrimiento	RROC	Special coating Corrotect, anti corrosion protection

### Medidas principales y datos de rendimiento

d <sub>LW</sub>	30 mm	Diameter Shaft
L <sub>max</sub>	6.000 mm	Length total maximum
≈m	5,55 kg/m	Peso

### Medidas de montaje

d <sub>LW Tol</sub>	h6	Diameter Shaft
h6 Tol	0 μm	Diameter Shaft high
h6 Tol	-13 μm	Diameter Shaft low
SHD min	0,9 mm	Surface Hardness Depth
t <sub>1</sub>	6 μm	Roundness
t <sub>2</sub>	9 μm	Parallelism



### Medidas principales

G 2	M10-M12-M16	Axial thread (size)
G 7	M6/M10	Radial thread (size)
B 01	M10/M12/M16	Drilling pattern axial thread one side
B 02	M10/M12/M16	Drilling pattern axial thread both side
B 03	M6/M10	Drilling pattern radial thread
B 04	M6/M10 + M10/M12/ M16	Drilling pattern radial thread+axial thread one side
B 05	M6/M10 + M10/M12/ M16	Drilling pattern radial thread+axial thread both side