

**MLF52-260-EE-ZR-FA517.1** [↗](#)

Módulo lineal

Actuators with external track roller guidance system and toothed belt drive. With support rail in two segments

Información técnica

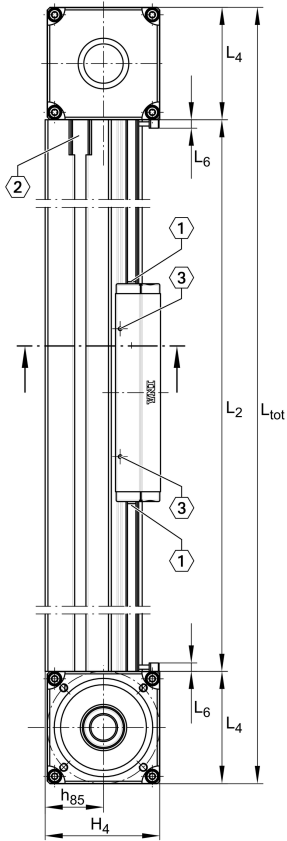


Variante de su producto actual

| | | |
|---------------------|---------|------------------------------|
| Size code | 52 | |
| Length of carriage | 260 | 260 mm |
| Carriage design | EE | Double strengthened carriage |
| Drive type | (3)ZR | Toothed belt drive |
| Additional carriage | / | No additional carriage |
| Support rail design | FA517.1 | Two-piece |
| Bellow | / | No |

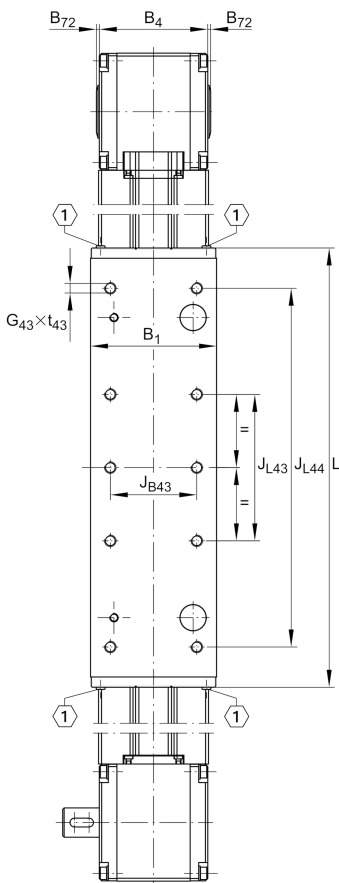
Medidas principales y datos de rendimiento

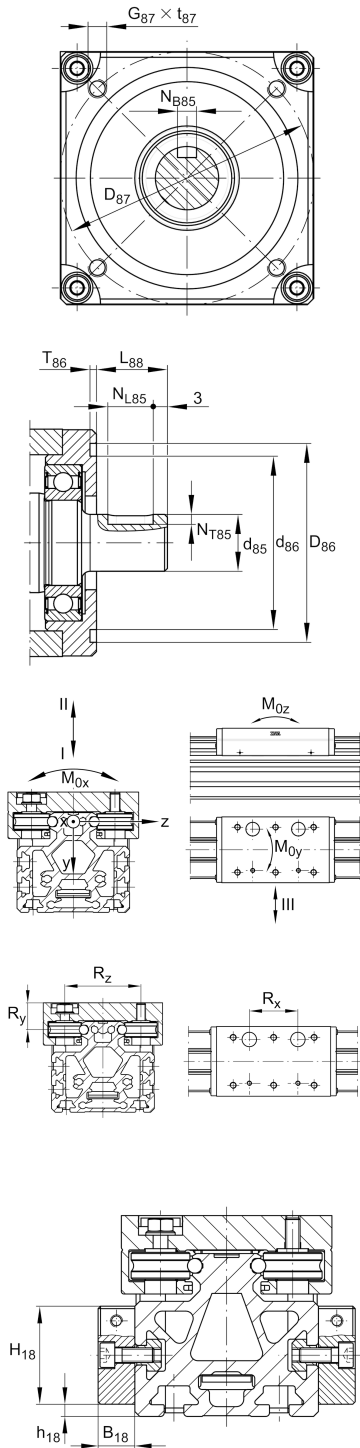
| | | |
|----------------|--------|-------------|
| B ₁ | 155 mm | Total Width |
| H | 125 mm | Altura |
| L | 260 mm | Longitud |



Medidas de montaje

| | | |
|--------------|---------|------------------|
| D 86 | 95 mm | |
| D 87 | 115 mm | Ø Bolt circle |
| d 85 | 20 mm | |
| d 86 | 76 mm | Ø Inner Fit |
| L 88 | 31 mm | |
| G 43 | M12 | Thread |
| G 87 | M8 | Thread |
| h 85 | 60,6 mm | |
| J B43 | 115 mm | |
| J L43 | 180 mm | Tolerance ±0,2 |
| j B8 | 80 mm | |
| N B85 | 6 mm | Width of Keyway |
| N L85 | 25 mm | Length of Keyway |
| N T85 | 3,5 mm | Depth of Keyway |
| T 86 | 4 mm | Depth Fit |
| Tol T 86 up | 0,5 mm | Upper tolerance |
| Tol T 86 low | 0 mm | Lower tolerance |
| t 43 max | 24 mm | Depth of Thread |
| t 87 max | 15 mm | |





Medidas

| | | |
|----------|-----------|-------------------------------------|
| B 2 | 112 mm | Width of Support Rail |
| B 4 | 111 mm | Width of Return Unit |
| B 18 | 15 mm | |
| B 72 | 2 mm | |
| H 1 | 55 mm | |
| H 2 | 98,6 mm | Altura |
| H 4 | 118,3 mm | Height of Return Unit |
| H 7 | 65,4 mm | |
| H 18 | 45 mm | |
| h 13 | 25 mm | |
| h 14 | 50 mm | |
| h 18 | 15 mm | |
| L 2 max | 16.000 mm | Maximum length of Support Rail |
| L 4 | 115,5 mm | |
| L 6 | 6 mm | Length of Wiper Brushes |
| L 18 | 400 mm | |
| L Tn min | 500 mm | Support Rail in Segments length min |
| L Tn max | 8.000 mm | Support Rail in Segments length max |
| S | 85 mm | Medida |



Datos técnicos

| | | |
|--------------------|---------------------|--|
| m_{LAW} | 4,12 kg | Mass of Carriage |
| m_1 | 1,84 kg | Mass of Connecting Plates of Profiles |
| v_{max} | 8 m/s | Maximum Speed |
| a_{max} | 40 m/s ² | Maximum Acceleration |
| R_x | 120 mm | |
| R_y | 35,3 mm | |
| R_z | 95 mm | |
| I C | 20.000 N | Load direction I: compressive load |
| I C ₀ | 10.000 N | Load direction I: compressive load |
| II C | 20.000 N | Load direction II: tensile load |
| II C ₀ | 10.000 N | Load direction II: tensile load |
| III C | 32.400 N | Load direction III: lateral load |
| III C ₀ | 18.200 N | Load direction III: lateral load |
| $M_{0x\ per}$ | 215 Nm | Max. permissible static moment per Carriage |
| $M_{0y\ per}$ | 1.100 Nm | Max. permissible static moment per Carriage |
| $M_{0z\ per}$ | 620 Nm | Max. permissible static moment per Carriage |
| I_y | 386 cm ⁴ | Geometrical moments of inertia of Support Rail |
| I_z | 301 cm ⁴ | Geometrical moments of inertia of Support Rail |

Información adicional

| | |
|-------------------------|--|
| 73,5 Nm | Max. permissible drive torque |
| 4 x LFR5302-10-2Z | Track Rollers |
| 0,1 mm | Repeat Accuracy ± |
| 270 mm | Feed (mm/rotation) |
| 32AT10 | Toothed Belt |
| 0,2 kg/m | Mass of Toothed Belt |
| 1.750 N | Permissible Toothed Belt operating force |
| 12,6 kg*cm ² | Mass moment of inertia of Gears |



Rango de temperatura

| | | |
|------------------|-------|------------------------------|
| T _{min} | 0 °C | Minimum operating Temperatur |
| T _{max} | 80 °C | Maximum operating Temperatur |