

**MLF32-155-ZR-W2-FBALG**

## Módulo lineal

Actuators with external track roller guidance system and toothed belt drive. With second, driven carriage and bellows

## Información técnica



## Variante de su producto actual

|                     |       |                         |
|---------------------|-------|-------------------------|
| Size code           | 32    |                         |
| Length of carriage  | 155   | 155 mm                  |
| Carriage design     | /     | Carro estándar          |
| Drive type          | (3)ZR | Toothed belt drive      |
| Additional carriage | W2    | Second, driven carriage |
| Support rail design | /     | One-piece               |
| Bellow              | FBALG | Yes                     |

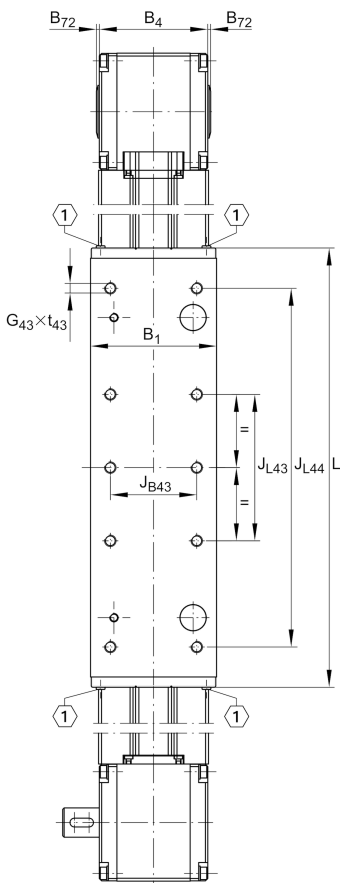
## Medidas principales y datos de rendimiento

|                |        |             |
|----------------|--------|-------------|
| B <sub>1</sub> | 86 mm  | Total Width |
| H              | 82 mm  | Altura      |
| L              | 155 mm | Longitud    |



**Medidas de montaje**

|              |         |                  |
|--------------|---------|------------------|
| D 86         | 70 mm   |                  |
| D 87         | 80 mm   | Ø Bolt circle    |
| d 85         | 20 mm   |                  |
| d 86         | 61 mm   | Ø Inner Fit      |
| L 88         | 25 mm   |                  |
| G 43         | M8      | Thread           |
| G 87         | M6      | Thread           |
| h 85         | 41,5 mm |                  |
| J B43        | 59 mm   |                  |
| J L43        | 100 mm  | Tolerance ±0,2   |
| j B8         | 43 mm   |                  |
| N B85        | 6 mm    | Width of Keyway  |
| N L85        | 16 mm   | Length of Keyway |
| N T85        | 3,5 mm  | Depth of Keyway  |
| T 86         | 2,3 mm  | Depth Fit        |
| Tol T 86 up  | 0,3 mm  | Upper tolerance  |
| Tol T 86 low | 0 mm    | Lower tolerance  |
| t 43 max     | 14 mm   | Depth of Thread  |
| t 87 max     | 12 mm   |                  |





**Medidas**

|          |          |  |
|----------|----------|--|
| B 2      | 75 mm    | Width of Support Rail                  |
| B 4      | 74 mm    | Width of Return Unit                   |
| B 72     | 2 mm     |  |
| H 1      | 32 mm    |  |
| H 2      | 66,5 mm  | Altura                                 |
| H 4      | 81,5 mm  | Height of Return Unit                  |
| H 7      | 47 mm    |  |
| h 13     | 25 mm    |  |
| L 2 max  | 8.000 mm | Maximum length of Support Rail         |
| L 4      | 80 mm    |  |
| L x1 min | 50 mm    | Minimum distance between the Carriages |
| F BL     | 1,44     | Effective length factor of bellow      |
| S        | 85 mm    | Medida                                 |



### Datos técnicos

|                    |                     |  |
|--------------------|---------------------|--|
| $m_{LAW}$          | 0,73 kg             | Mass of Carriage                               |
| $m_3$              | 0,73 kg             | Mass of additional Carriage                    |
| $v_{max}$          | 8 m/s               | Maximum Speed                                  |
| $a_{max}$          | 40 m/s <sup>2</sup> | Maximum Acceleration                           |
| $R_x$              | 60 mm               |  |
| $R_y$              | 20,5 mm             |  |
| $R_z$              | 54 mm               |  |
| I C                | 4.100 N             | Load direction I: compressive load             |
| I C <sub>0</sub>   | 2.400 N             | Load direction I: compressive load             |
| II C               | 4.100 N             | Load direction II: tensile load                |
| II C <sub>0</sub>  | 2.400 N             | Load direction II: tensile load                |
| III C              | 6.600 N             | Load direction III: lateral load               |
| III C <sub>0</sub> | 4.200 N             | Load direction III: lateral load               |
| $M_{0x\ per}$      | 30 Nm               | Max. permissible static moment per Carriage    |
| $M_{0y\ per}$      | 130 Nm              | Max. permissible static moment per Carriage    |
| $M_{0z\ per}$      | 70 Nm               | Max. permissible static moment per Carriage    |
| $I_y$              | 104 cm <sup>4</sup> | Geometrical moments of inertia of Support Rail |
| $I_z$              | 76 cm <sup>4</sup>  | Geometrical moments of inertia of Support Rail |

### Información adicional

|                        |  |
|------------------------|--|
| 18 Nm                  | Max. permissible drive torque            |
| 4 x LFR50/8-6-2Z       | Track Rollers                            |
| 0,1 mm                 | Repeat Accuracy ±                        |
| 175 mm                 | Feed (mm/rotation)                       |
| 20AT5                  | Toothed Belt                             |
| 0,068 kg/m             | Mass of Toothed Belt                     |
| 640 N                  | Permissible Toothed Belt operating force |
| 2,2 kg*cm <sup>2</sup> | Mass moment of inertia of Gears          |



### Rango de temperatura

---

|                  |      |                              |
|------------------|------|------------------------------|
| T <sub>min</sub> | 0 °C | Minimum operating Temperatur |
|------------------|------|------------------------------|

|                  |       |                              |
|------------------|-------|------------------------------|
| T <sub>max</sub> | 80 °C | Maximum operating Temperatur |
|------------------|-------|------------------------------|