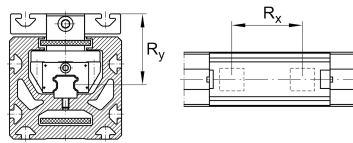
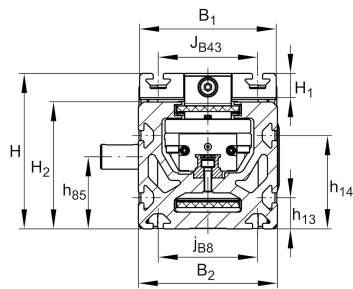


MKUVE25-500-ZR-W2-N-FA517.1 [↗](#)

Módulo lineal

Actuators with four-row linear recirculating ball bearing and guideway assembly, monorail guidance system and toothed belt drive. With support rail in two segments, second, driven carriage and fixing slots in carriage

Información técnica



Variante de su producto actual

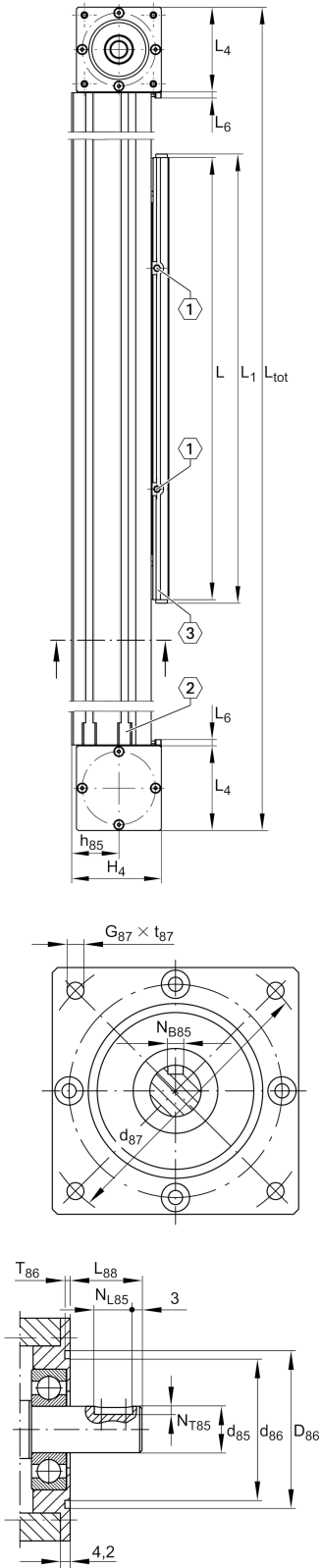
| | | |
|----------------------------|-------|-------------------------|
| Size code | 25 | |
| Length of carriage | 500 | 500 mm |
| Ejecución | / | Basis |
| Drive type | (3)ZR | Toothed belt drive |
| Additional carriage | W2 | Second, driven carriage |
| Attachment to the carriage | N | T-Slots |

n.r.

| | |
|---------|---------------------|
| FA517.1 | Support Rail Design |
|---------|---------------------|

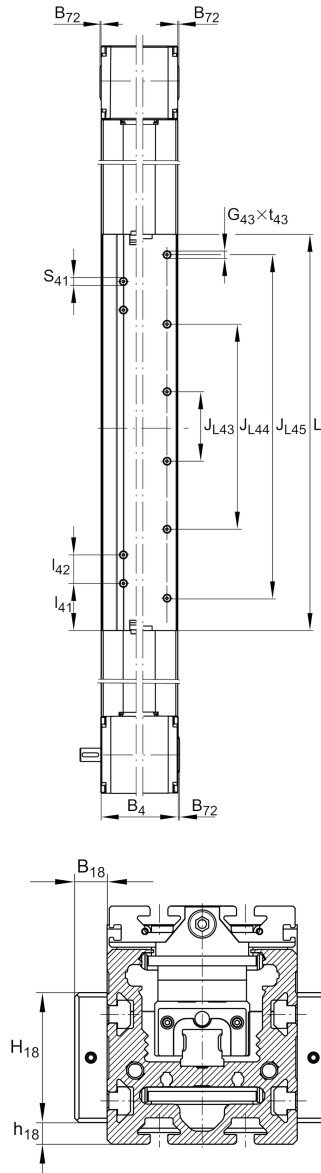
Medidas principales y datos de rendimiento

| | | |
|-----|--------|--------------------|
| B 2 | 112 mm | Total Width |
| H | 125 mm | Total Height |
| L | 500 mm | Length of Carriage |



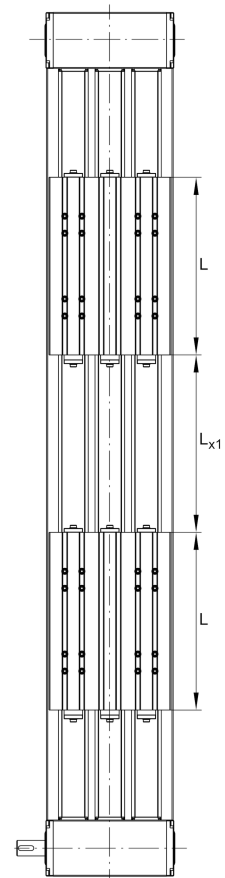
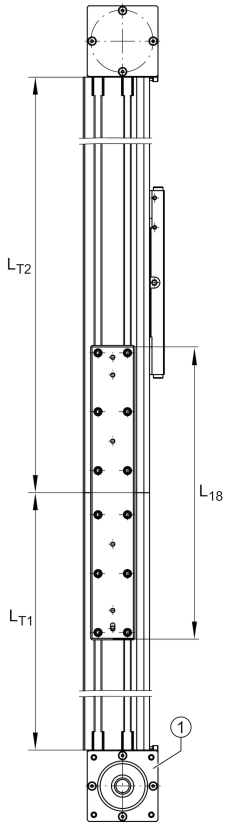
Medidas de montaje

| | | |
|-----------|-----------|--------------------------------|
| B 1 | 110 mm | Width of Carriage |
| D 86 | 95 mm | |
| Tol D 86 | G7 | Tolerance |
| D 87 | 115 mm | |
| d 85 | 20 mm | Tolerance h7 |
| d 86 | 76 mm | |
| G 87 | M8 | |
| h 13 | 25 mm | |
| h 14 | 75 mm | |
| h 18 | 5 mm | |
| J B43 | 80 mm | |
| Tol J B43 | 0,1 | Upper Tolerance |
| Tol J B43 | 0,1 | Lower Tolerance |
| j B8 | 80 mm | |
| L 2 max | 16.000 mm | Maximum length of Support Rail |
| L 88 | 31 mm | |
| N B85 | 6 mm | Tolerance P9 |
| N L85 | 25 mm | Length of Keyway |
| N T85 | 3,5 mm | Depth of Keyway |
| t 87 max | 15 mm | Depth of Thread |



Medidas

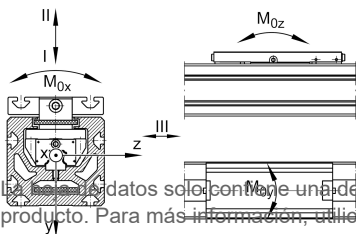
| | | |
|----------|----------|-------------------------|
| B 18 | 15 mm | |
| B 72 | 2 mm | |
| H 1 | 21 mm | Height of Carriage |
| H 2 | 102 mm | Height of Support Rail |
| H 4 | 115,7 mm | Height of Return Unit |
| H 18 | 90 mm | |
| h 85 | 58 mm | |
| L 1 | 513 mm | |
| L 4 | 115,5 mm | Length of Return Unit |
| L 6 | 6 mm | Length of Wiper Brushes |
| L 18 | 400 mm | |
| L x1 min | 50 mm | |
| B 4 | 111 mm | Width of Return Unit |
| T 86 | 4 mm | Depth Fit |
| Tol T 86 | 0 mm | Lower tolerance |
| Tol T 86 | 0,5 mm | Upper Tolerance |

**Datos técnicos**

| | | |
|----------------------|---------------------|--|
| R_x | 360 mm | |
| R_y | 71,8 mm | |
| S | 85 mm | Safety Distance |
| m_{LAW} | 6,37 kg | |
| m_3 | 6,37 kg | Mass of additional Carriage |
| v_{max} | 5 m/s | Maximum Speed |
| a_{max} | 30 m/s ² | Maximum Acceleration |
| I C | 29.000 N | Load direction I: compressive load |
| I C ₀ | 74.000 N | Load direction I: compressive load |
| II C | 29.000 N | Load direction II: tensile load |
| II C ₀ | 74.000 N | Load direction II: tensile load |
| III C | 29.000 N | Load direction III: lateral load |
| III C ₀ | 74.000 N | Load direction III: lateral load |
| $M_{0x \text{ per}}$ | 1.000 Nm | Max. permissible static moment per Carriage |
| $M_{0y \text{ per}}$ | 10.000 Nm | Max. permissible static moment per Carriage |
| $M_{0z \text{ per}}$ | 10.000 Nm | Max. permissible static moment per Carriage |
| I_y | 712 cm ⁴ | Geometrical moments of inertia of Support Rail |
| I_z | 506 cm ⁴ | Geometrical moments of inertia of Support Rail |

Información adicional

| | |
|-------------------------|--|
| 75 Nm | Max. permissible drive torque |
| 2xKWVE25-B | Carriage |
| 0,1 mm | Repeat Accuracy ± |
| 250 mm | Feed (mm/rotation) |
| 50AT10 | Toothed Belt |
| 0,29 kg/m | Mass of Toothed Belt |
| 1.880 N | Permissible Toothed Belt operating force |
| 14,7 kg*cm ² | Mass moment of inertia of Gears |





Rango de temperatura

| | | |
|-----|-------|------------------------------|
| max | 80 °C | Maximum operating Temperatur |
| min | 0 °C | Minimum operating Temperatur |